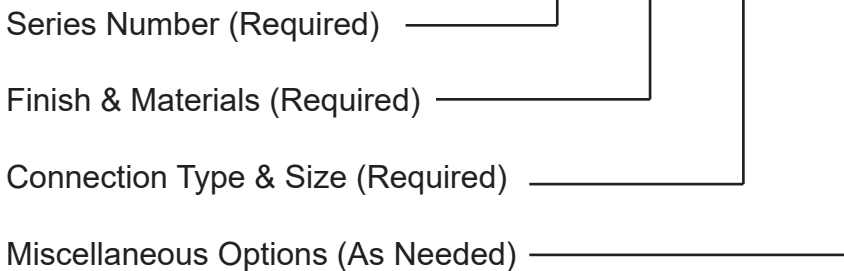


INDEX	
Application	Product Recommendation
Large Area Main Roof Drains	3000, 3001, 3007
Flow Controlled Roof Drains	3007
Medium Area Main Roof Drains	3011
Small Area Main Roof Drains	3012
Dual Outlet Drains / Combination Drains	3041, 3042, 3043, 3044, 3046
Roof Receptor Drains	3061, 3062, 3063
Deck Drains	3101, 3105, 3111, 3115, 3119, 3121, 3150
Cornice / Balcony Drains	3230, 3240, 3241
Parapet / Scupper Drains	3270, 3271, 3290
Green Roof Drains	3350, 3351, 3352, 3353, 3354, 3355, 3356, 3357, 3358, 3359
Vent Stack Sleeves / Couplings / Caps	3600, 3671, 3690, 3880
Expansion Joints	3900
Downspout Boots / Nozzles / Covers	3930, 3940, 3941, 3942, 3950

### How to Specify

**3000-42-3NH-ADF**



Wade is a Leader In Siphonic Roof Drainage Systems with hundreds of successful installations in the United States and Canada.

Our Extensive Line of Siphonic Solutions is Cataloged in a Separate Brochure, plus we offer design assistance to the qualified design professional.

Please Contact your Local Wade Sales Representative for Details

Based on National Plumbing Code (Consult local codes for roof areas)

### Steps for selecting roof drain leader sizes and quantity required for a given roof size

Step	Requirement	Example
1	Calculate Total Roof Area	Total Roof Area—500' by 270' equals 135,000 Sq.Ft.
2	Determine maximum hourly rainfall in inches	For this example—Use 4" per/hr
3	Select Leader Size	Assume that 6" leaders are desired for this job
4	From Table 1, Determine the square feet that can be drained by one 6" roof leader at the maximum 4" hourly rainfall rate	From Table 1 One 6" Leader at 4" hourly rainfall rate will drain 13,500 square feet of roof area.
5	Divide the total roof area by the area that one 6" leader will accommodate. The result is the number of drains required for the building. If the result is fractional, use the next higher number	135,000 Square Feet (Total Roof Area) divided by 13,500 Square Feet (Maximum Rate for 6" Drain at 4" per hour)  <b>135,000 ÷ 13,500 = 10 (10 DRAINS REQUIRED)</b>

ROOF DRAINS

**Table 1**

### Roof drain vertical leader requirements for roof areas at various rainfall rates

Leader (Pipe Size)	Open Area (Sq.In.)	Hourly Rainfall (Inches)									
		1	1-1/2	2	2-1/2	3	4	5	6	7	8
2	3.14	2,880	1,920	1,440	1,150	960	720	575	480	410	360
3	7.06	8,880	5,860	4,400	3,520	2,930	2,200	1,720	1,470	1,260	1,100
4	12.56	18,400	12,700	9,200	7,360	6,130	4,600	3,680	3,070	2,630	2,300
5	19.60	34,600	23,050	17,300	13,840	11,530	8,650	6,920	5,765	4,945	4,325
6	28.30	54,000	36,000	27,000	21,600	18,000	13,500	10,800	9,000	7,715	6,750
8	50.25	116,000	77,400	58,000	46,400	38,680	29,000	23,200	19,315	16,570	14,500

### STEPS FOR CALCULATING DRAINAGE REQUIREMENTS USING GALLONS PER MINUTE (G.P.M.)

- Use the following formula to determine G.P.M.  
 $G.P.M. = 0.0104 \times R \times A$   
 R = Rainfall intensity—inches/hour  
 A = Roof Area—Square Feet  
 0.0104 = Conversion Factor—G.P.M./Sq.Ft. for 1"/Hr Rainfall
- Example:
  - 4" rainfall inches/hour
  - 135,000 Sq.Ft. Total Roof Area
  - $G.P.M. = 0.0104 \times 4 \times 135,000 \text{ Sq.Ft.} = 5,616 \text{ GPM}$
- Refer to Table 2: A 4" Leader will handle 192 GPM.  
  
 $5,616 \text{ GPM} \div 192\text{GPM} = 29.25$  - 30 Roof Drains (4") Required  
  
 If 6" Leaders are desired , a 6" Leader will handle 566 GPM thus:  
  
 $5,616 \text{ GPM} \div 566\text{GPM} = 9.9$  - 10 Roof Drain (6") Required.

**Table 2**

Allowable flow for vertical leaders and horizontal storm drains				
Flow in Gallons Per Minute (GPM)				
Pipe Size	Vertical Leader	Horizontal Leader (Slope / Ft.)		
		1/8"	1/4"	1/2"
2"	30	12	17	24
3"	90	36	51	72
4"	192	78	111	157
5"	348	142	201	284
6"	566	231	327	462
8"	1220	498	705	996
10"	2200	902	1275	1804
12"	-	1467	2076	2934
15"	-	2666	3774	5332

## General Product Information

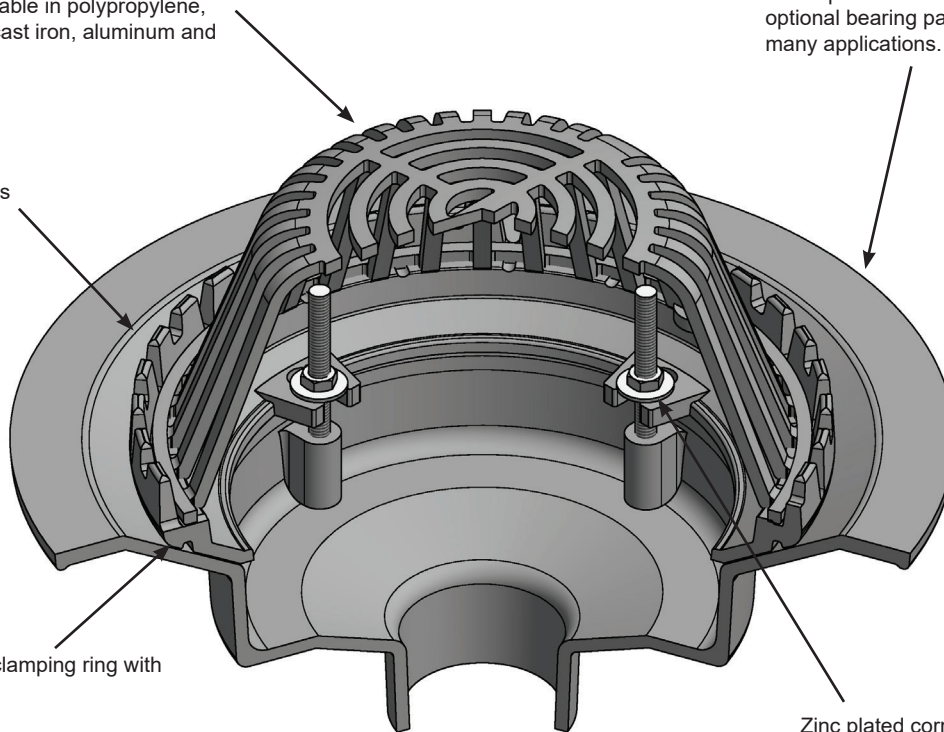
### 3000 (Primary Drain)

Large open area dome permits unobstructed flow. Domes are available in polypropylene, cast iron, galvanized cast iron, aluminum and brass.

Broad plane surface allows for installation optional bearing pan (sump receiver) in many applications.

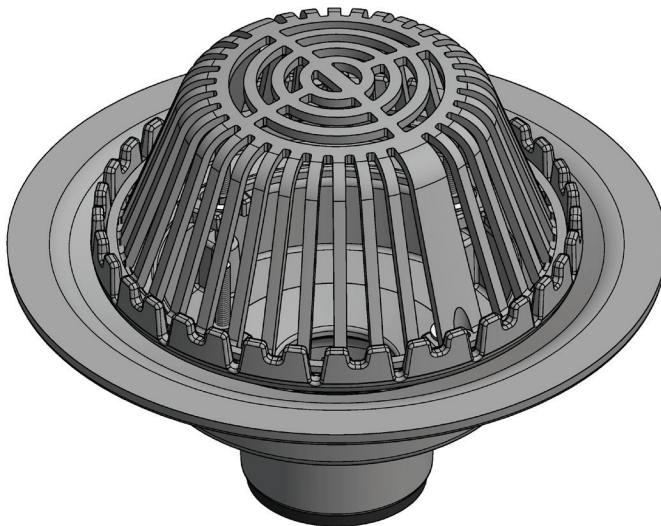
Sloped body eliminates ponding.

Cast iron membrane clamping ring with integral gravel stop.



Zinc plated corrosion resistant hardware

No-Hub outlet connection. Also available with Push-On, Inside Caulk or Female Threaded Outlets.



3000-42-3TY

### Roof Drains—Product Compliance

Wade roof drains are constructed of high quality materials, and in general, are designed to meet the requirements of ASME Standard A112.6.4.

### General Information:

Primary roof drains are comprised of three basic components:

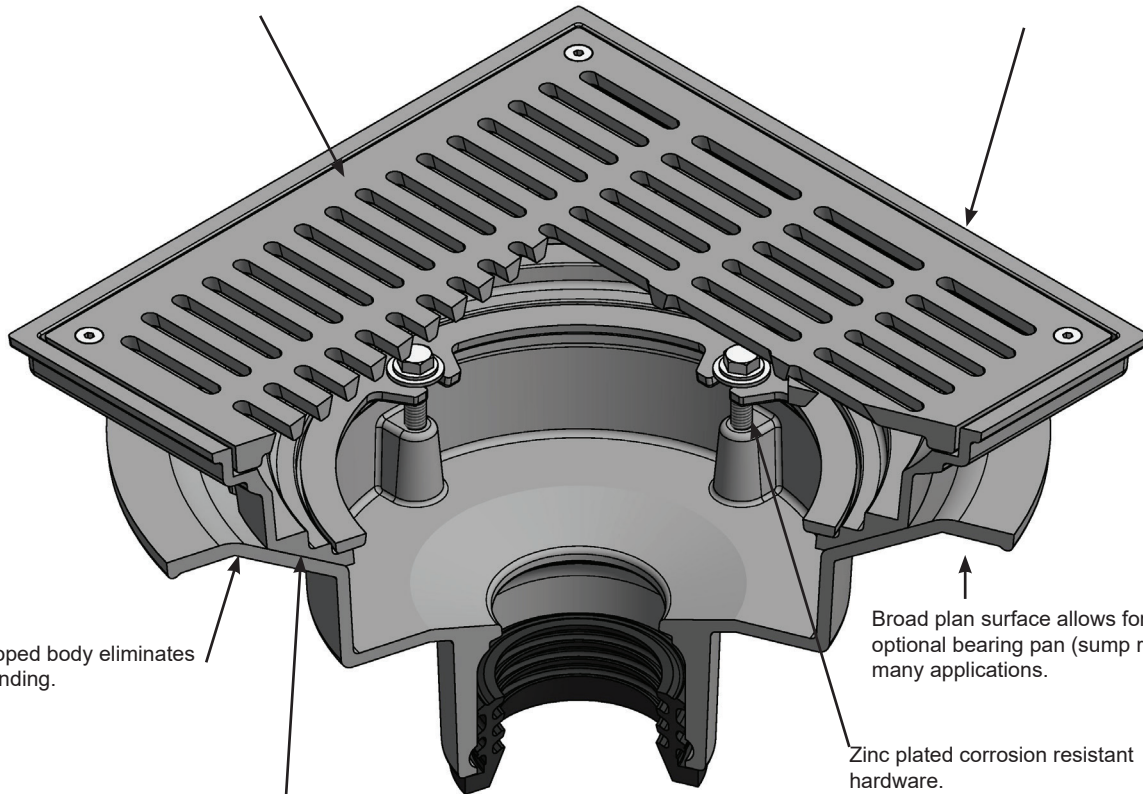
- (1) body (sump)
- (2) combination flashing clamp/gravel guard and
- (3) dome strainer.

## General Product Information

### 3101 (Promenade Deck Drain)

Heel proof ductile iron grate allows for pedestrian traffic and accommodates heavy traffic loads. Available with Nickel Bronze, Satin Bronze or Stainless Steel Veneer Tops.

Square rotatable cast iron collar clamps membrane and has integral seepage openings.



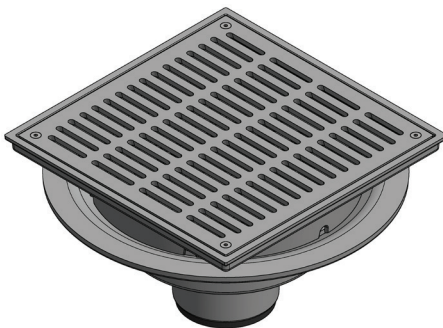
Sloped body eliminates ponding.

Cast iron membrane clamping ring with integral gravel stop.

Push-On outlet connection. Also available with No-Hub, Inside Caulk or Female Threaded Outlets.

Broad plan surface allows for installation optional bearing pan (sump receiver) in many applications.

Zinc plated corrosion resistant hardware.



### Promenade Deck Drains—Product Compliance

Wade deck drains are constructed of high quality materials, and in general, are designed to meet the requirements of ASME Standard A112.6.4.

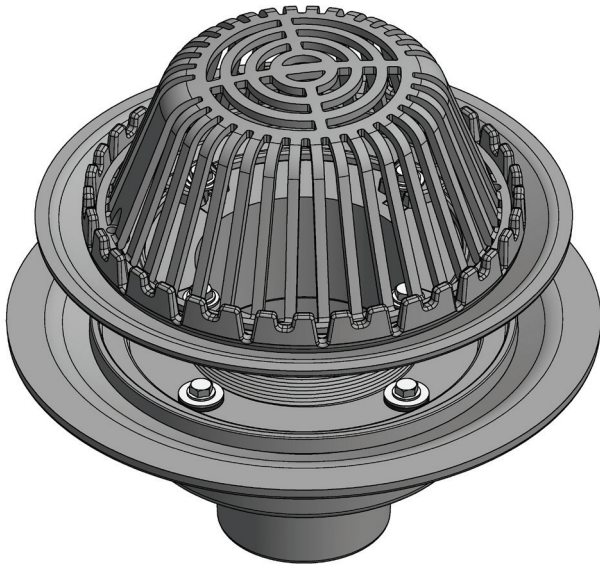
### General Information:

Primary roof drains are comprised of four basic components:

- (1) body (sump)
- (2) a combination flashing clamp/grate collar
- (3) a securing ring and
- (4) a flat strainer.

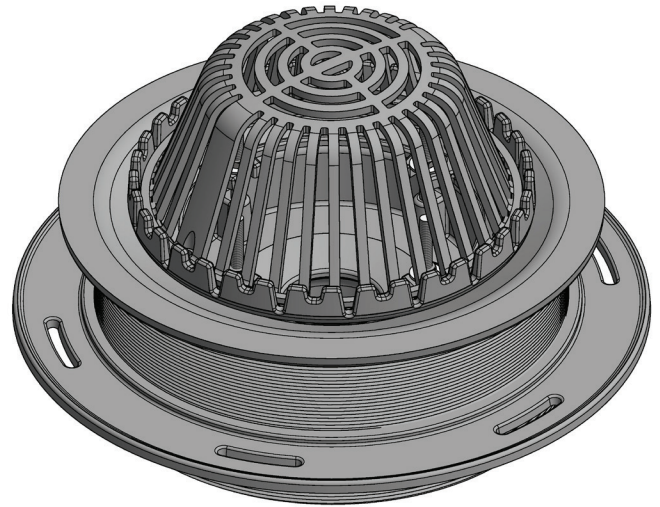
Wade promenade deck drains are designed with a rotatable collar to allow adjustment independent of the body

## Options & Variations



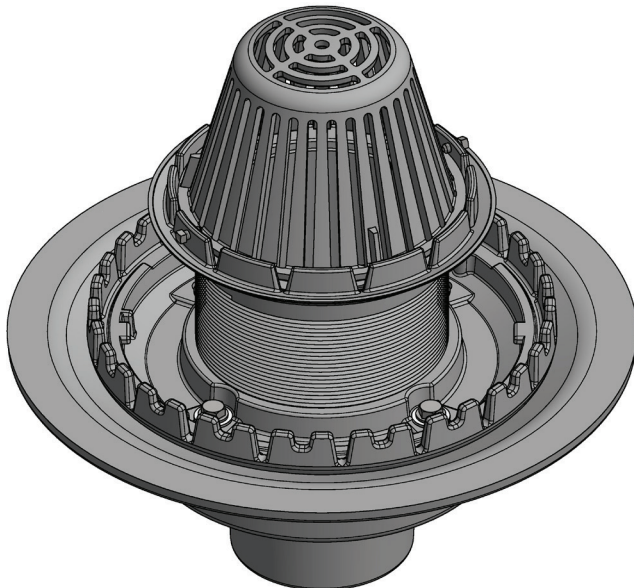
Function: Used in flat roof construction, the adjustable sleeve permits adjustment from a minimum of 1-3/4" to a maximum of 3-1/2" to easily accommodate varying insulation thicknesses. The positive thread engagement allows smooth perimeter movement.

**(ADF) Adjustable Extension**



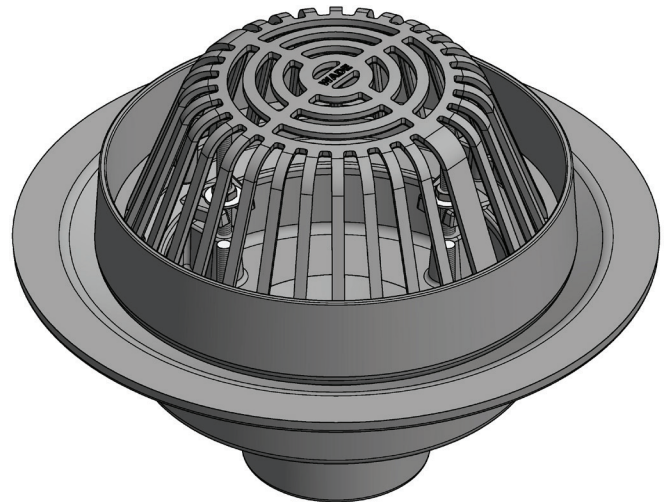
Function: Used in flat roof construction, the adjustable drain riser sleeve permits adjustment from a minimum of 1" to a maximum of 6" to easily accommodate varying insulation thicknesses. The positive thread engagement allows smooth perimeter movement. A large bearing surface ring eliminates the need for sump receivers.

**(AE) Adjustable Drain Riser**



Function: Used in flat roof construction, the adjustable standpipe permits adjustment to a maximum of 4" to easily accommodate varying overflow conditions. The positive thread engagement allows smooth perimeter movement.

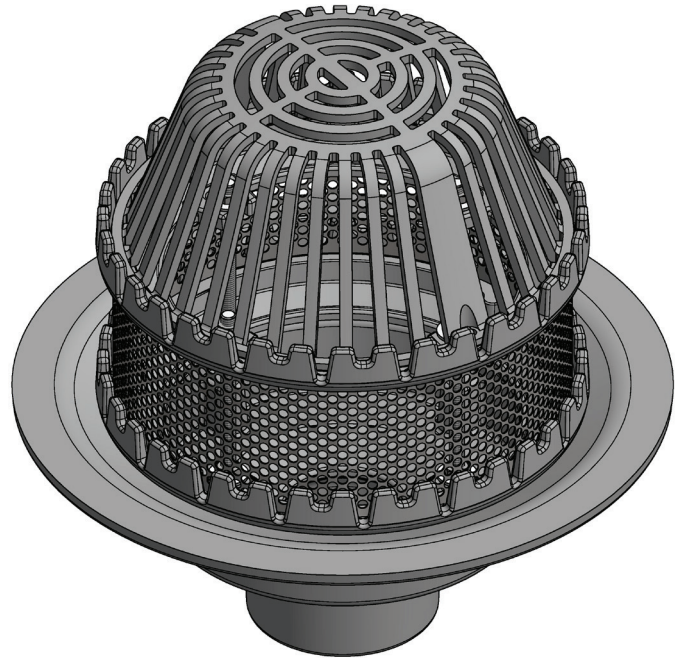
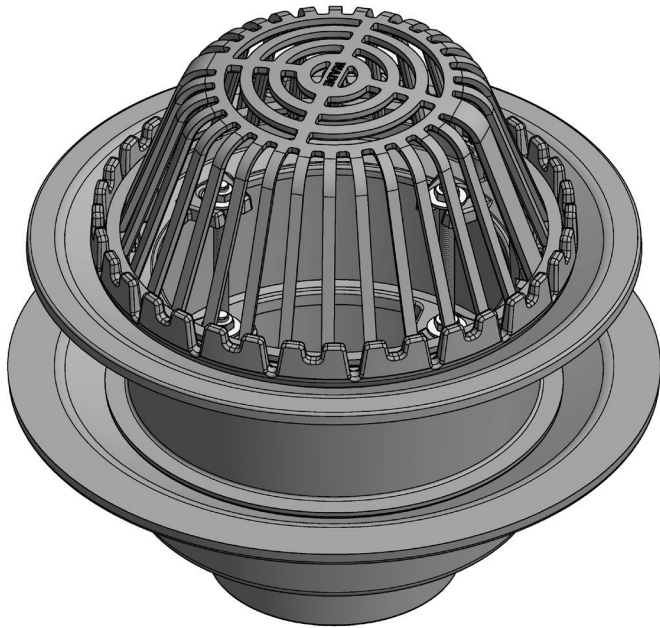
**(AW) Adjustable Water Regulator**



Function: Used in flat roof construction where a constant water depth is desired or an emergency overflow if the primary drain becomes clogged or is inadequate for the flow conditions. The dam keeps debris away from the dome and accommodates more overflow drainage with less head build-up.

**(D) Dam (2" High)**

### Options & Variations

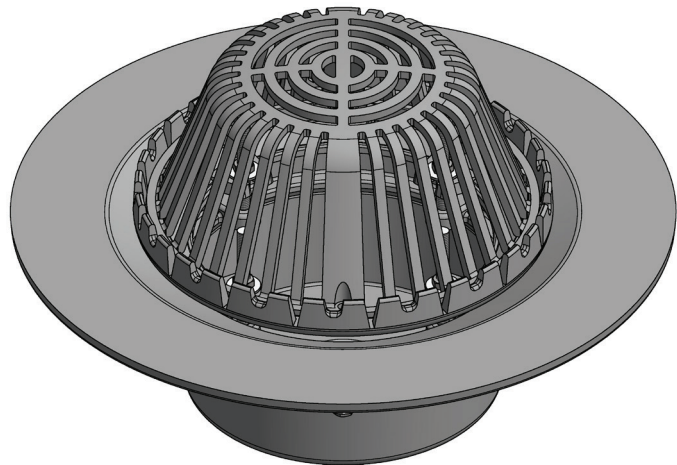


Function: Used in flat roof construction, the fixed sleeve easily accommodates typical insulation thicknesses. Available in 1", 2", 3" and 4" heights. Units are stackable for heights exceeding 4".

Function: Used in roof systems where the inverted roof membrane assembly method of waterproofing is used. This method, commonly termed "IRMA" relies on a perforated stainless steel sleeve to retain the crushed gravel ballast used to secure the insulation. Available in various heights to accommodate various insulation thicknesses. 2", 3" and 4" heights standard.

**(DF) Fixed Extension**

**(DFS) Perforated Extension**



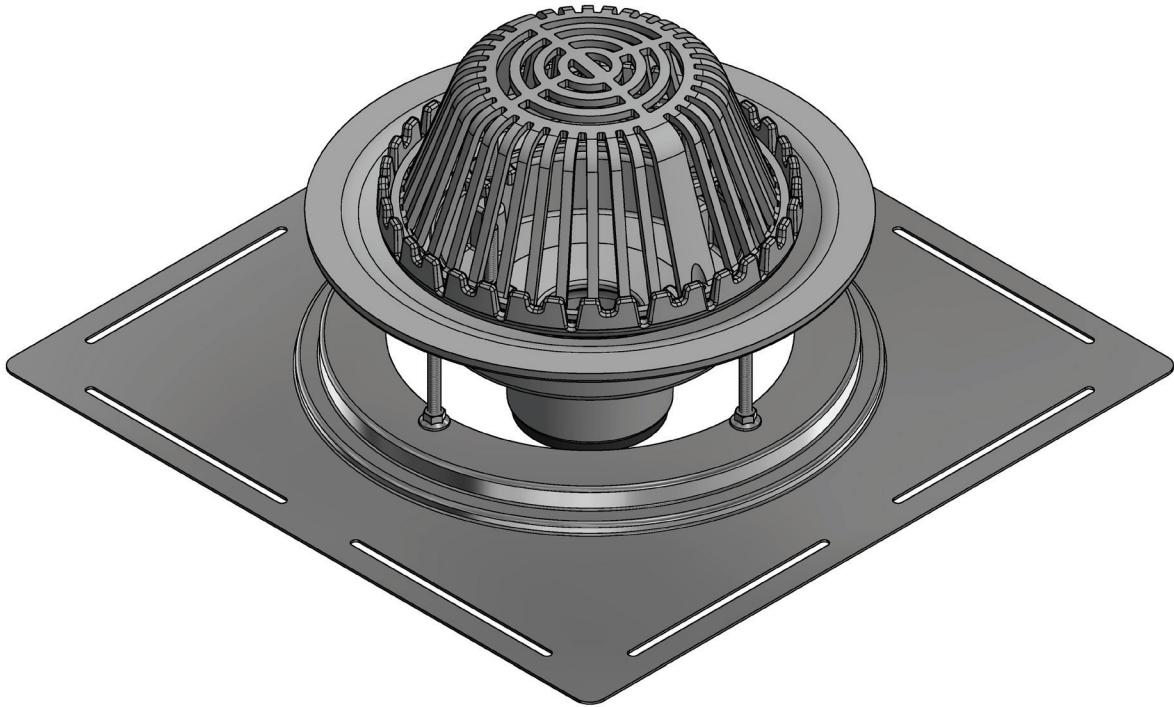
Function: Used in roof systems where the insulated membrane assembly method of waterproofing is used. This method, commonly termed "IRMA" relies on a perforated stainless steel fixed sleeve to retain the crushed gravel ballast used to secure the insulation. 4" height standard. Other Heights Optional.

Function: For use in promenade roof deck and rooftop recreational areas where a traffic bearing roof deck covering is to be applied. Drain body sump is protected from leaves, paper and other debris by a large secured dome. The wide flange offers an ideal substrate for the membrane application.

**(DP) Perforated Gravel Stop**

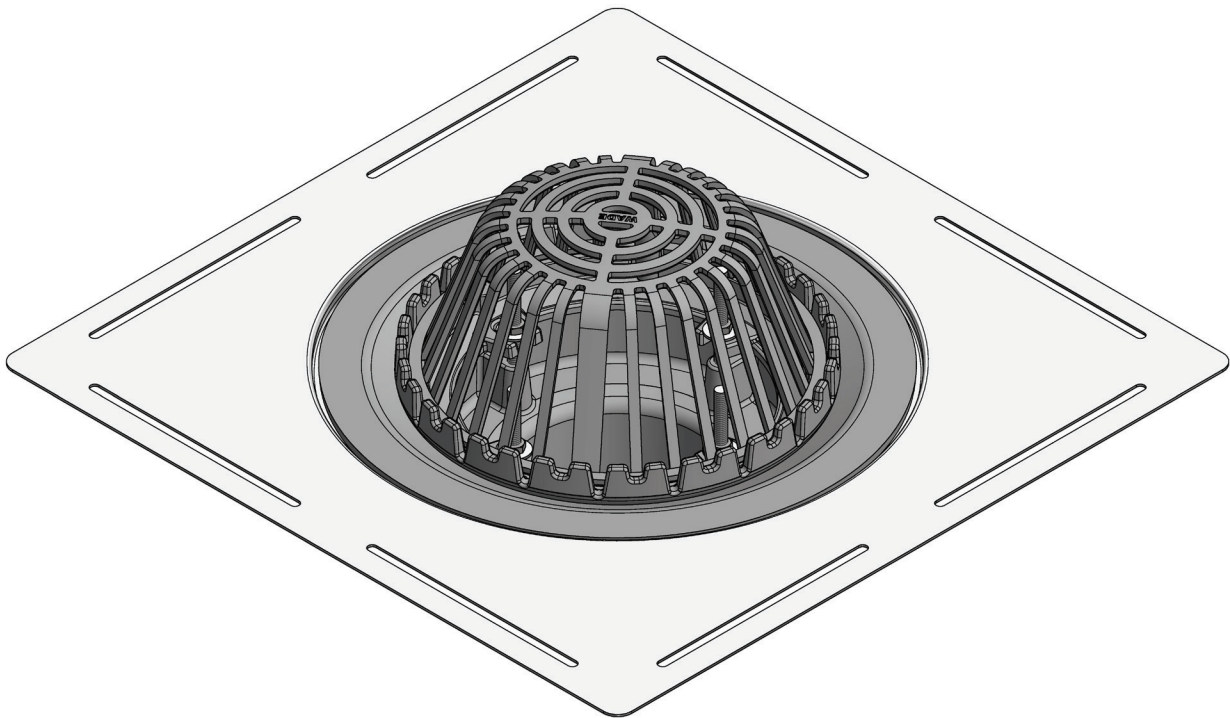
**(E) Elastomeric Wide Flange**

## Options & Variations



Function: Used in flat roof construction, this adjustable drain riser permits adjustment by means of threaded rods to easily accommodate varying insulation thicknesses.

## (EB) Adjustable Drain Riser



Function: The Wade bearing pan / sump receiver allows for flush installation of the roof drain body, eliminating ponding around the drain. A recess in the pan accepts the body and clips on the underside firmly secure the drain. This unit eliminates the need for underdeck clamps as it can be Tek screwed to the deck upon installation.

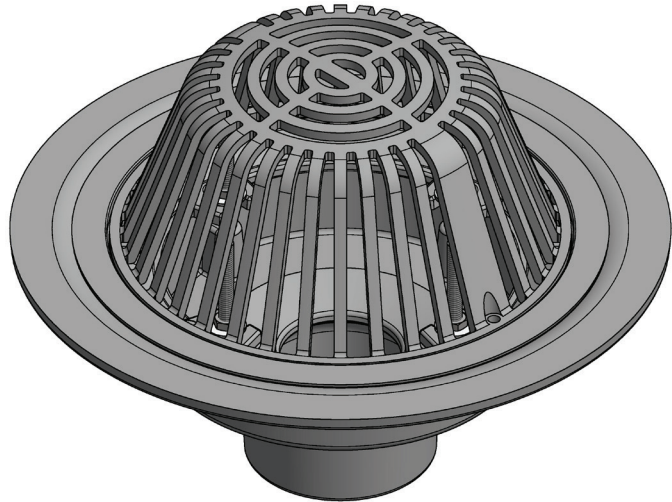
## (189) Bearing Pan with Securing Hardware

### Options & Variations



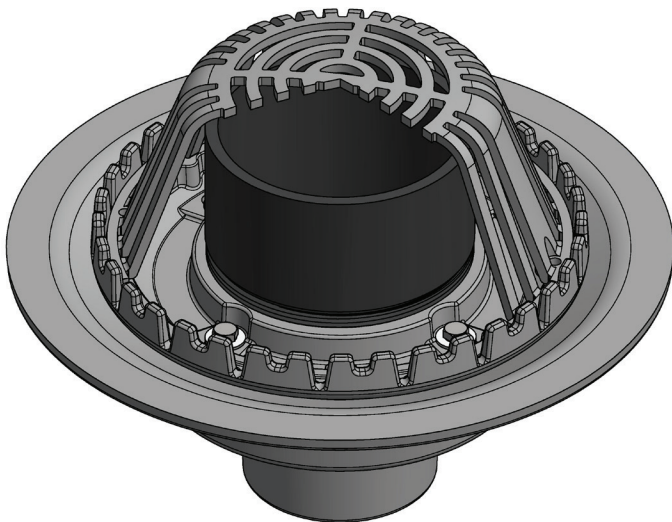
Function: For use in promenade roof decks and rooftop recreational areas where traffic bearing pavers are to be applied. The drain is installed under the pavers and the slotted grate prevents debris from entering the drain.

**(FG) Flush Gate**



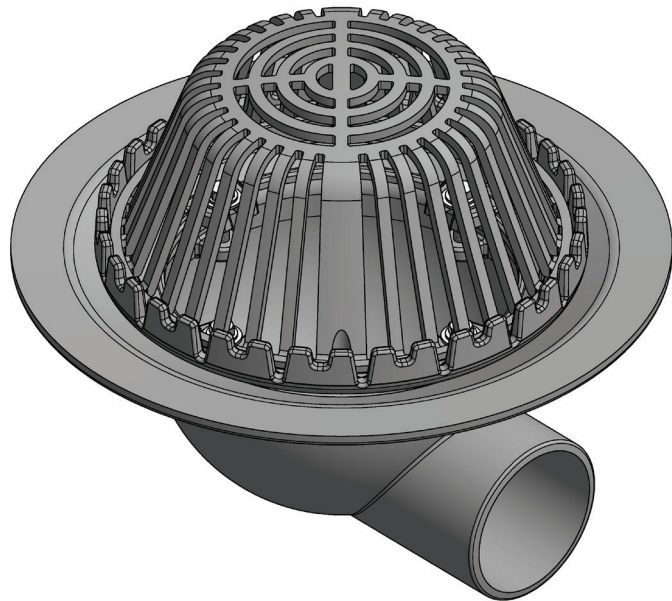
Function: For use in roof systems that utilize a polymer sheet membrane. Typically these roof systems do not rely on gravel as a ballast. The smooth flashing ring allows for unobstructed flow to the drain.

**(LGS) Less Gravel Stop**



Function: Used in flat roof construction where a constant water depth is desired or for an emergency overflow if the primary drain becomes clogged or is inadequate for the flow conditions. The plastic threaded standpipe can be easily modified for various overflow depths.

**(SD) Adjustable Internal Overflow Dam**



Function: Used in flat roof construction where space is limited under the roof structure. The compact design incorporates a sloped side outlet.

**(SO) Side Outlet Body**



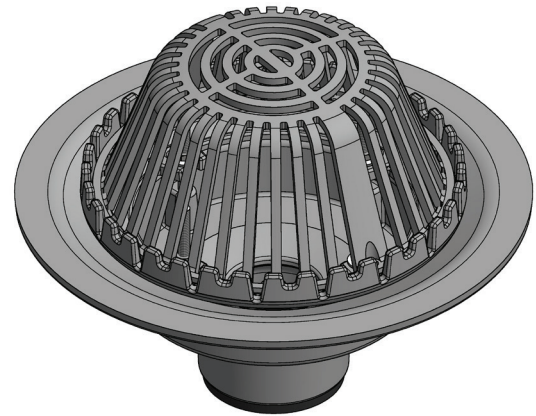
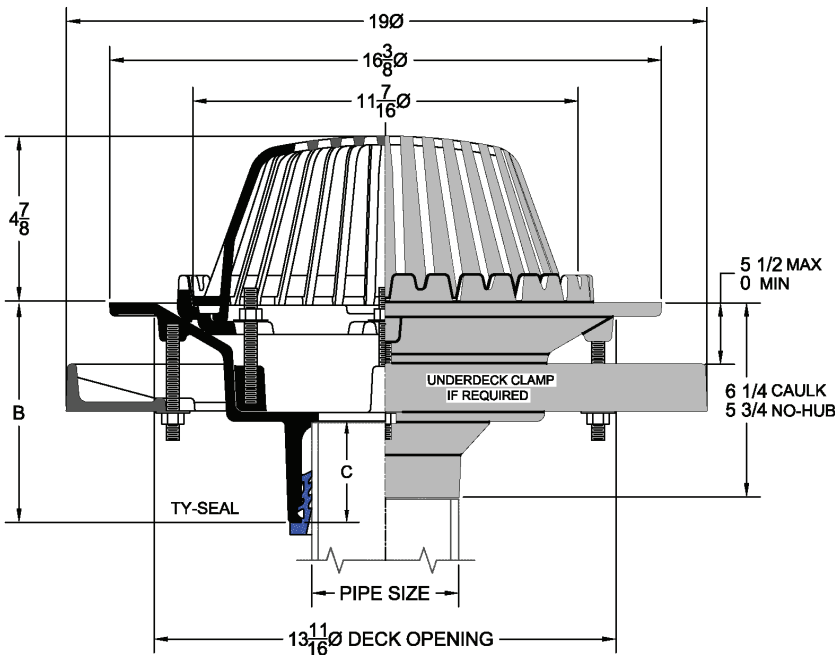
Options & Variations	
<p>Function: For use in roof systems that encounter small debris or pea gravel which may otherwise pass through the gravel stop and dome. It is also ideal for planting areas.</p>	<p>Function: Normally used on all roof systems except poured-in-place installations, the underdeck clamp firmly secures the drain to the roof structure thereby eliminating the movement caused by expansion and contraction transferring to the membrane.</p>
<b>(50) S/S Mesh Dome Cover</b>	<b>(53) Under Deck Clamp</b>

Outlet Variations			
<b>(NH) No-Hub</b>	<b>(TY) Push-On</b>	<b>(IC) Inside Caulk</b>	<b>(IPS) Female Threaded</b>
<p>No-Hub Connection is achieved by butting cast iron soil pipe, plastic pipe or steel pipe to the bottom of the drain and securing with a joint clamp. (Clamp furnished by others).</p>	<p>The Wade Push-On connection is a unique labor saving gasketed joint designed to simply push on the stub end of the pipe. It can be used on C.I. Soil Pipe, plastic pipe or steel pipe. (Lubrication is required).</p>	<p>Inside caulk connections are achieved by placing the body over the pipe and supporting independently to allow the pipe to protrude into the outlet. A seal is made with oakum followed by lead peened around the pipe for a secure joint.</p>	<p>Iron pipe size connections are an old industry standard used in industrial and institutional applications. The female NPT threaded outlet is matched to male threaded pipe and requires a sealant.</p>

**3000**

16-3/8" Diameter Large Area Primary Drain

Dome Free Area = 113.5



3000-42-3TY

ROOF  
DRAINS

Outlet (Pipe Size)	Painted Cast Iron Body and Flashing Ring with:				
	Dome Option Suffix				
	3	32	40	42	46
	Bronze	Poly	Galv. C.I.	Cast Iron	Aluminum
2,3,4"	\$ 1526.00	\$ 704.00	\$ 1386.00	\$ 913.00	\$ 952.00
5,6"	1830.00	1009.00	1691.00	1218.00	1256.00
8"	2134.00	1312.00	1994.00	1521.00	1560.00

Dimensions (Inches)				
Pipe Size	2"	3"	4"	6"
<b>B</b>	6-3/8	6-5/8	6-7/8	6-3/8
<b>C</b>	2-1/2	2-3/4	3	3

Outlet Variations		
Type	Designation Suffix	Add
No-Hub	2NH,3NH,4NH,5NH,6NH,8NH	N/C
Push On	2TY,3TY,4TY,6TY(CI),6TX(PVC)	N/C
Inside Caulk	2IC,3IC,4IC,5IC,6IC	N/C
Threaded	2IPS,3IPS,4IPS,5IPS,6IPS,8IPS	\$ 78.00

Optional Extensions & Drain Risers			
Suffix	Description	Add	
		Painted	(39) Galv.
ADF	Adjustable Extension *	\$ 724.00	\$ 1071.00
AE	Adjustable Drain Riser *	781.00	1121.00
DF	Fixed Extension * (1",2",3" or 4") *	659.00	994.00
EB	Adjustable Drain Riser Pan *	659.00	--

Pipe Size	2"	3"	4"	5"	6"	8"
<b>Wt. Lbs.</b>	36.1	35.4	36.5	35.2	35.1	36.5

**Regularly Furnished:** Cast iron roof drain with flange, flashing ring, gravel stop, & locking dome.

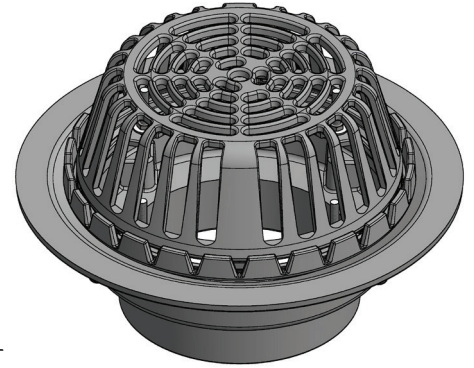
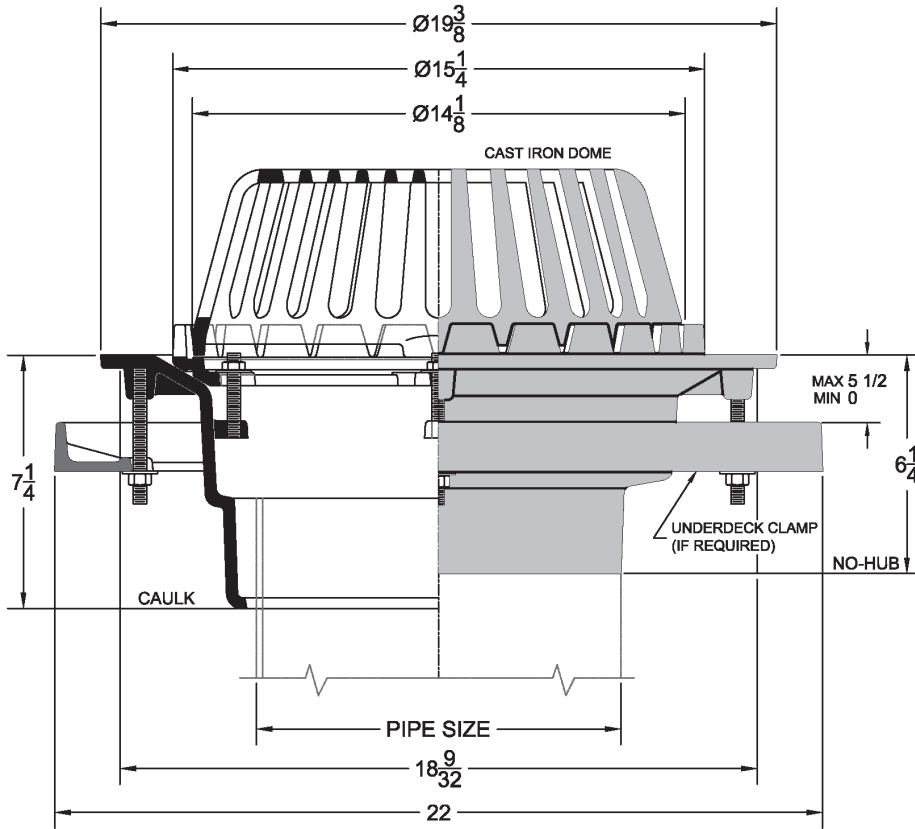
\* Dimensions vary from illustration

Suffix Options			
Suffix	Description	Add	
ARC	Acid Resistant Coating (ArmorClad)	\$ 1354.00	
AW	Adjustable Water Regulator *	882.00	
D	Dam (2" High) *	231.00	
DP	Perforated Stainless Steel Gravel Stop *	784.00	
DFS	Perforated Stainless Steel Extension (1-4") *	773.00	
	For Each Addition 1" (Add/In.)	77.00	
E	Elastomeric Wide Flange Body *	1319.00	
LGS	Less Gravel Stop	N/C	
SD	Adjustable Internal Overflow Dam *	419.00	
SO	90° Side Outlet Body (3NH,4NH,6NH) *	366.00	
VP	Vandal Proof Top	124.00	
39	Galvanized Cast Iron	(32)	956.00
		(42)	1359.00
48	Flush Grate in Lieu of Dome *	685.00	
49	Bronze Mesh Over Dome	501.00	
50	Stainless Steel Mesh Over Dome	501.00	
52	Bearing Pan (Sump Receiver) *	271.00	
53	Under Deck Clamp *	243.00	
189	Bearing Pan w/ Securing Hardware *	436.00	

# ROOF DRAINS



<b>3001</b>	<b>19-3/8" Diameter High Capacity Primary Drain</b>	Dome Free Area = 122.0
-------------	---	------------------------



3001-42-12NH

ROOF DRAINS

Outlet (Pipe Size)	Painted Cast Iron Body and Flashing Ring with:			Wt. Lbs.
	Dome Option Suffix			
	40 Galv. C.I.	42 Cast Iron	46 Aluminum	
8"	\$ 2300.00	\$ 1878.00	\$ 2122.00	58.0
10"	2494.00	2072.00	2317.00	55.0
12"	2642.00	2220.00	2464.00	60.0

**Regularly Furnished:** Cast iron roof drain with flange, flashing ring, gravel stop, & loose set dome.  
*\* Dimensions vary from illustration*

Outlet Variations		
Type	Designation Suffix	Add
No-Hub	8NH, 10NH, 12NH	N/C
Inside Caulk	8IC, 10IC	N/C

Suffix Options		
Suffix	Description	Add
ARC	Acid Resistant Coating (ArmorClad)	\$ 1867.00
D	Dam (2" High) *	677.00
DFS	Perforated Stainless Steel Extension (1-4") *	994.00
	For Each Addition 1" (Add/In.)	90.00
DP	Perforated Stainless Steel Gravel Stop *	983.00
SD	Adjustable Internal Overflow Dam *	1068.00
VP	Vandal Proof Top	124.00
39	Galvanized Cast Iron	(40,46) 1000.00
		(42) 1422.00
49	Bronze Mesh Over Dome	501.00
50	Stainless Steel Mesh Over Dome	501.00
52	Bearing Pan (Sump Receiver) *	271.00
53	Under Deck Clamp *	243.00
189	Bearing Pan w/ Securing Hardware *	767.00

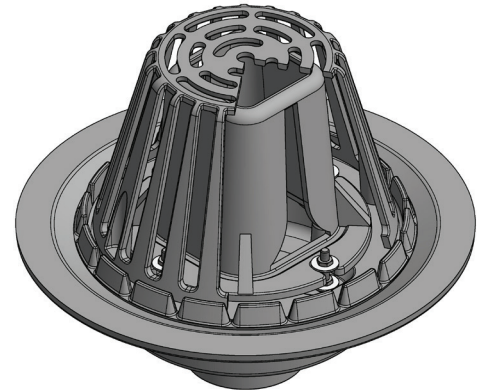
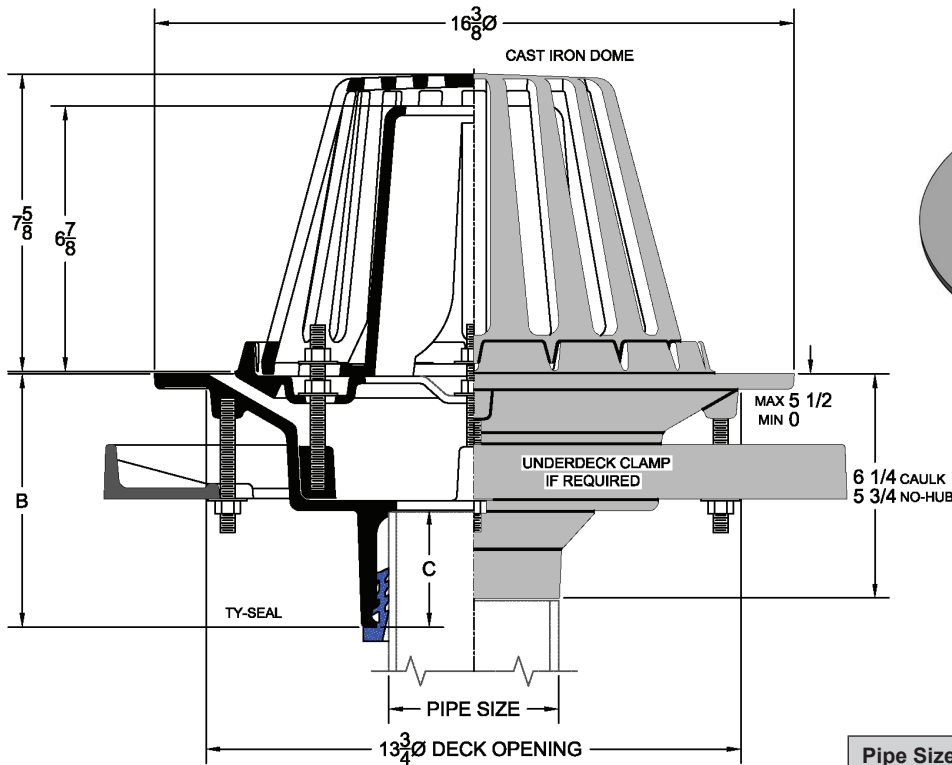
Optional Extensions & Drain Risers			
Suffix	Description	Add	
		Painted	(39) Galv.
AE	Adjustable Drain Riser *	\$ 1298.00	\$ 1641.00
DF	Fixed Extension * (1", 2", 3" or 4") *	1038.00	1570.00
EB	Adjustable Drain Riser Pan *	944.00	--

**3007**

16-3/8" Diameter Control-Flo Drain

Dome Free Area = 101.3

ROOF DRAINS



3007-42-4NH

Pipe Size	2"	3"	4"
Wt. Lbs.	52.6	51.9	53.0

Outlet (Pipe Size)	Painted Cast Iron Body and Flashing Ring with:			
	Dome Option Suffix			
	3	40	42	46
	Bronze	Galv. C.I.	Cast Iron	Aluminum
2,3,4"	\$ 2851.00	\$ 2443.00	\$ 2143.00	\$ 2174.00
5,6"	3156.00	2748.00	2448.00	2478.00

**Regularly Furnished:** Cast iron control flow roof drain with flange, flashing ring, gravel stop, proportional flow weir & high cast iron dome.

\* Dimensions vary from illustration

Dimensions (Inches)			
Pipe Size	2"	3"	4"
<b>B</b>	6-3/8	6-5/8	6-7/8
<b>C</b>	2-1/2	2-3/4	3

Outlet Variations		
Type	Designation Suffix	Add
No-Hub	2NH,3NH,4NH	N/C
Push On	2TY,3TY,4TY,6TY (Includes Gasket)	N/C
Inside Caulk	2IC,3IC,4IC	N/C
Threaded	2IPS,3IPS,4IPS	\$ 78.00

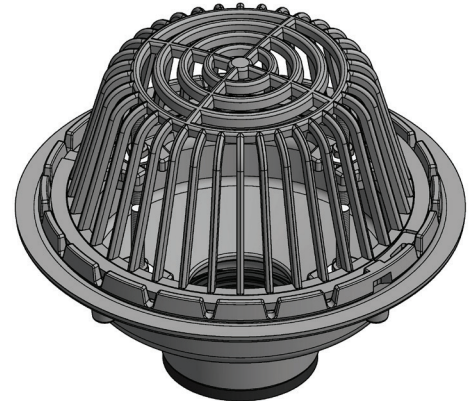
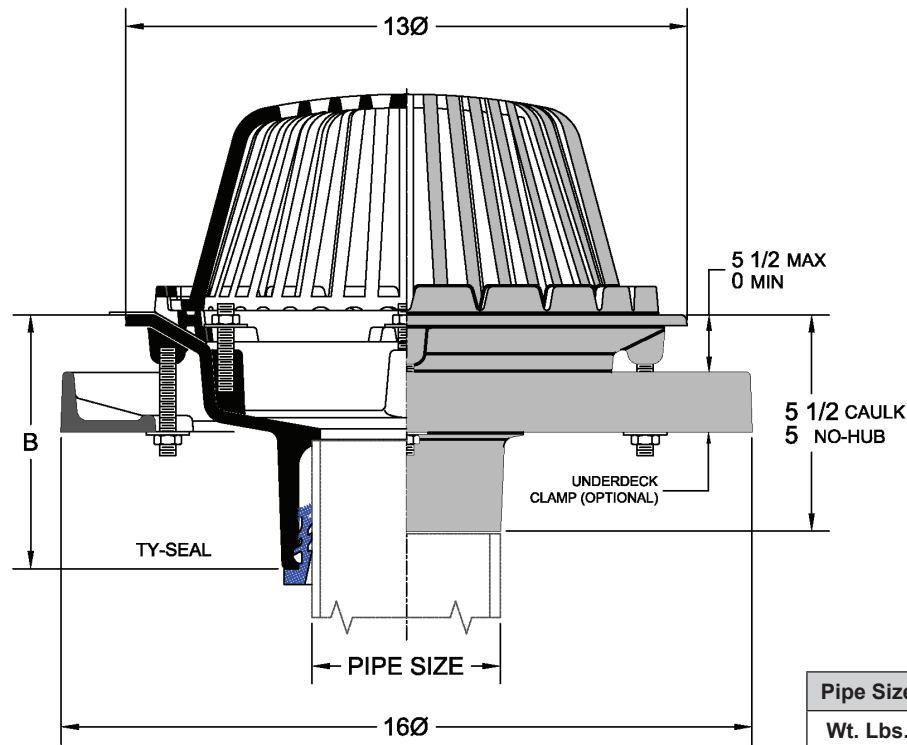
Optional Extensions & Drain Risers			
Suffix	Description	Add	
		Painted	(39) Galv.
ADF	Adjustable Extension *	\$ 724.00	\$ 1071.00
AE	Adjustable Drain Riser *	781.00	1121.00
DF	Fixed Extension * (1",2",3" or 4") *	659.00	994.00
EB	Adjustable Drain Riser Pan *	659.00	--

Suffix Options		
Suffix	Description	Add
ARC	Acid Resistant Coating (ArmorClad)	\$ 1354.00
DP	Perforated Stainless Steel Gravel Stop *	811.00
DFS	Perforated Stainless Steel Extension (1-4") *	773.00
	For Each Addition 1" (Add/In.)	77.00
E	Elastomeric Wide Flange Body *	1319.00
SD	Adjustable Internal Overflow Dam *	419.00
SO	90° Side Outlet Body (3NH,4NH,6NH) *	366.00
VP	Vandal Proof Top	124.00
39	Galvanized Cast Iron (42)	888.00
49	Bronze Mesh Over Dome	501.00
50	Stainless Steel Mesh Over Dome	501.00
52	Bearing Pan (Sump Receiver) *	271.00
53	Under Deck Clamp *	243.00
189	Bearing Pan w/ Securing Hardware *	436.00

# ROOF DRAINS



<b>3011</b>	13" Diameter Medium Area Primary Drain	Dome Free Area = 75.0
-------------	--	-----------------------



3011-42-3TY

ROOF DRAINS

Pipe Size	2"	3"	4"	5"	6"
Wt. Lbs.	29.0	28.9	29.0	28.8	28.8

Outlet (Pipe Size)	Painted Cast Iron Body and Flashing Ring with:				
	Dome Option Suffix				
	3	32	40	42	46
	Bronze	Poly	Galv. C.I.	Cast Iron	Aluminum
2,3,4"	\$ 1033.00	\$ 625.00	\$ 895.00	\$ 782.00	\$ 803.00
5,6"	1033.00	625.00	895.00	782.00	803.00

**Regularly Furnished:** Cast iron roof drain with flange, flashing ring, gravel stop, & locking dome.

\* Dimensions vary from illustration

Dimensions (Inches) Push-On Outlets			
Pipe Size	2"	3"	4"
<b>B</b>	6-3/8	6-5/8	6-7/8
<b>C</b>	2-1/2	2-3/4	3

Suffix Options			
Suffix	Description	Add	
ARC	Acid Resistant Coating (ArmorClad)	\$ 1015.00	
D	Dam (2" High) *	190.00	
DP	Perforated Stainless Steel Gravel Stop *	625.00	
DFS	Perforated Stainless Steel Extension (1-4") *	625.00	
	For Each Addition 1" (Add/In.)	70.00	
SD	Adjustable Internal Overflow Dam *	419.00	
SO	90° Side Outlet Body (2IPS,3IPS,4IPS) *	157.00	
VP	Vandal Proof Top	116.00	
39	Galvanized Cast Iron	(32)	393.00
		(42)	506.00
48	Flush Grate in Lieu of Dome *	344.00	
49	Bronze Mesh Over Dome	464.00	
50	Stainless Steel Mesh Over Dome	464.00	
52	Bearing Pan (Sump Receiver) *	271.00	
53	Under Deck Clamp *	150.00	
189	Bearing Pan w/ Securing Hardware *	338.00	

Outlet Variations		
Type	Designation Suffix	Add
No-Hub	2NH,3NH,4NH,5NH,6NH	N/C
Push On	2TY,3TY,4TY (Includes Gasket)	N/C
Inside Caulk	2IC,3IC,4IC,5IC,6IC	N/C
Threaded	3IPS,4IPS	\$ 78.00

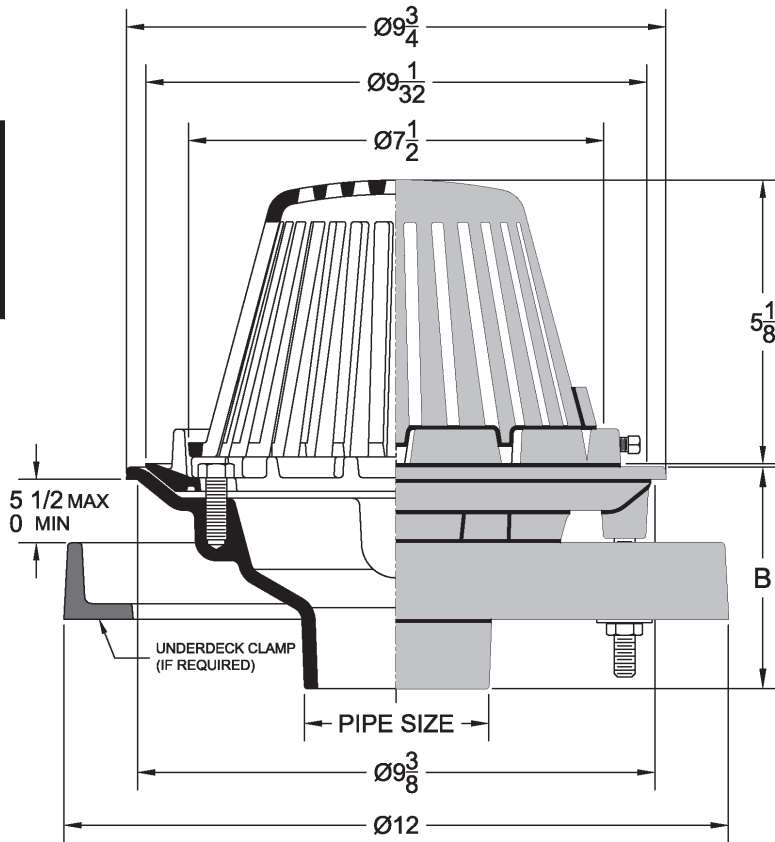
Optional Extensions & Drain Risers			
Suffix	Description	Add	
		Painted	(39) Galv.
DF	Fixed Extension * (1.5",2.5",3.5" or 4.5")	\$ 659.00	\$ 994.00
EB	Adjustable Drain Riser Pan *	503.00	--

**3012**

9-3/4" Diameter Small Area Primary Drain

Dome Free Area = 43.0

ROOF  
DRAINS



3012-42-2TY

Pipe Size	2"	3"	4"	6"
Wt. Lbs.	16.0	16.4	16.5	17.0

Outlet (Pipe Size)	Painted Cast Iron Body and Flashing Ring with:				
	Dome Option Suffix				
	3	32	40	42	46
	Bronze	Poly	Galv. C.I.	Cast Iron	Aluminum
2,3,4"	\$ 860.00	\$ 531.00	\$ 732.00	\$ 625.00	\$ 704.00
6"	1045.00	716.00	917.00	810.00	889.00

Dimensions (Inches)				
Outlet Style	No-Hub	Push-On	Inside Caulk	Threaded
<b>B</b>	4	4-1/4	4-3/4	3-1/4
<b>C</b>	2	N/A	N/A	N/A

Outlet Variations		
Type	Designation Suffix	Add
No-Hub	2NH,3NH,4NH,6NH	N/C
Push On	2TY,3TY,4TY (Includes Gasket)	N/C
Inside Caulk	2IC,3IC,4IC	N/C
Threaded	2IPS,3IPS,4IPS	\$ 78.00

Optional Extensions & Drain Risers			
Suffix	Description	Add	
		Painted	(39) Galv.
DF	Fixed Extension * (1",2",3" or 4") *	\$ 169.00	\$ 326.00
EB	Adjustable Drain Riser Pan *	503.00	--

**Regularly Furnished:** Cast iron roof drain with flange, flashing ring, gravel stop, & secured dome.

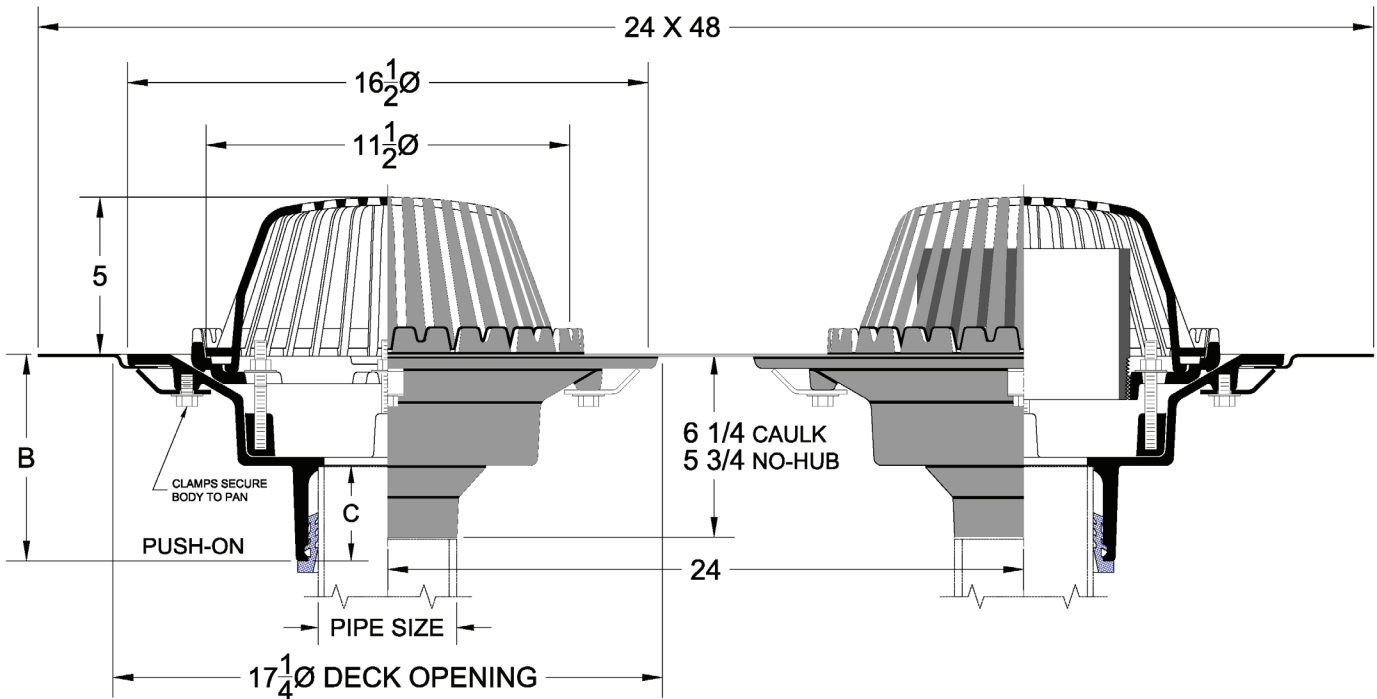
\* Dimensions vary from illustration

Suffix Options			
Suffix	Description	Add	
ARC	Acid Resistant Coating (ArmorClad)	\$ 762.00	
D	Dam (2" High) *	194.00	
DFS	Perforated Stainless Steel Extension (1-4") *	462.00	
	For Each Addition 1" (Add/In.)	70.00	
DP	Perforated Stainless Steel Gravel Stop *	462.00	
SD	Adjustable Internal Overflow Dam *	360.00	
SO	90° Side Outlet Body (2IPS,3IPS,4IPS) *	184.00	
VP	Vandal Proof Top	109.00	
39	Galvanized Cast Iron	(32)	199.00
		(42)	306.00
49	Bronze Mesh Over Dome	351.00	
50	Stainless Steel Mesh Over Dome	351.00	
52	Bearing Pan (Sump Receiver) *	271.00	
53	Under Deck Clamp *	150.00	
189	Bearing Pan w/ Securing Hardware *	338.00	

# ROOF DRAINS



<b>3041</b>	16-3/8" Diameter Combination Primary/Overflow Drain	Dome Free Area = 113.5.0
-------------	---	--------------------------



ROOF DRAINS

Outlet (Pipe Size)	Painted Cast Iron Body and Flashing Ring with:				
	Dome Option Suffix				
	3	32	40	42	46
	Bronze	Poly	Galv. C.I.	Cast Iron	Aluminum
2,3,4"	\$ 4129.00	\$ 2485.00	\$ 3705.00	\$ 2900.00	\$ 2967.00
5,6"	4731.00	3087.00	4305.00	3500.00	4177.00
8"	5335.00	3691.00	4912.00	4106.00	4177.00

Pipe Size	2"	3"	4"	5"	6"	8"
Wt. Lbs.	36.1	35.4	36.5	35.2	35.1	36.5

Dimensions (Inches) Push-On Outlets				
Pipe Size	2"	3"	4"	6"
<b>B</b>	6-3/8	6-5/8	6-7/8	6-3/8
<b>C</b>	2-1/2	2-3/4	3	3

Outlet Variations		
Type	Designation Suffix	Add
No-Hub	2NH,3NH,4NH,5NH,	N/C
Push On	2TY,3TY,4TY,6TY(CI),6TX(PVC)	N/C
Inside Caulk	2IC,3IC,4IC,5IC,6IC	N/C
Threaded	2IPS,3IPS,4IPS,5IPS,6IPS,8IPS	\$ 156.00

Optional Extensions & Drain Risers			
Suffix	Description	Add	
		Painted	(39) Galv.
ADF	Adjustable Extension *	\$ 1448.00	\$ 2143.00
AE	Adjustable Drain Riser *	1562.00	2242.00
DF	Fixed Extension * (1",2",3" or 4") *	1318.00	1989.00

**Regularly Furnished:** Cast iron combination primary/ overflow drain with flange, flashing ring, gravel stop, bearing pan, internal dam and locking dome.

\* Dimensions vary from illustration

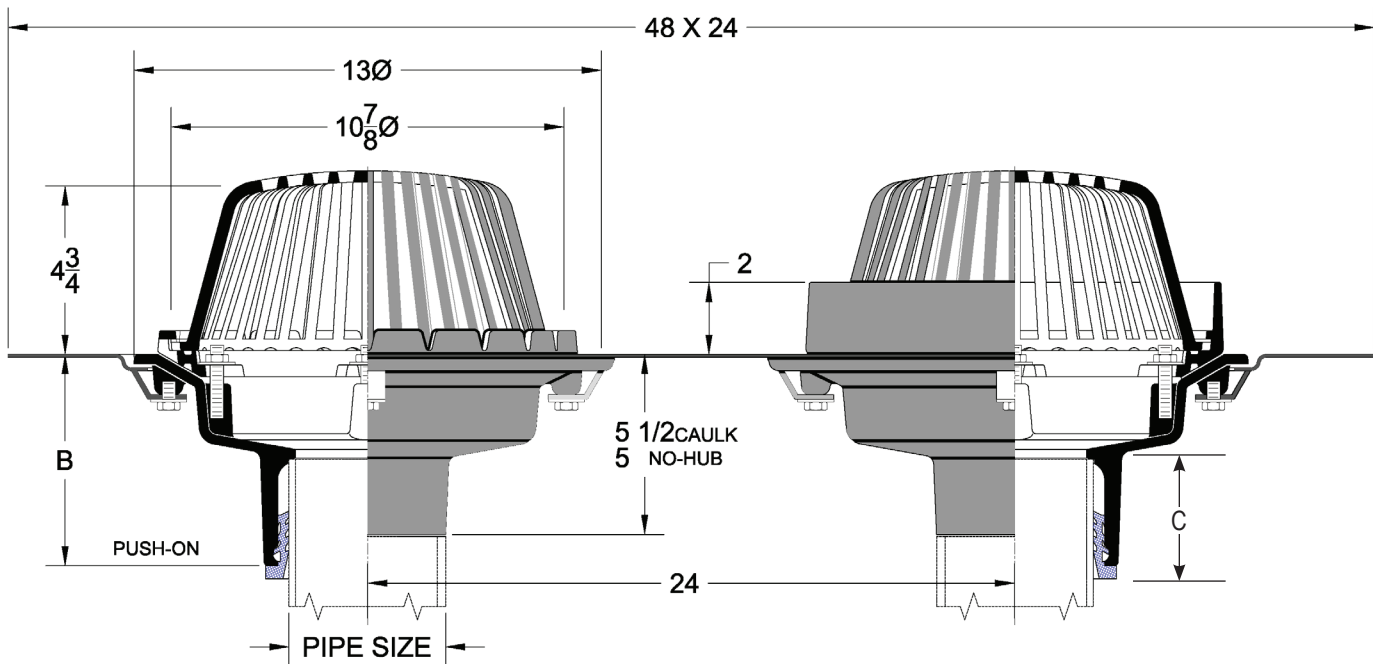
Suffix Options			
Suffix	Description	Add	
ARC	Acid Resistant Coating (ArmorClad)	\$ 2708.00	
D	Dam (2" High) *	N/C	
DFS	Perforated Stainless Steel Extension (1-4") *	1547.00	
	For Each Addition 1" (Add/In.)	154.00	
DP	Perforated Stainless Steel Gravel Stop *	1566.00	
LGS	Less Gravel Stop	N/C	
SO	90° Side Outlet Body (3NH,4NH,6NH) *	732.00	
VP	Vandal Proof Top	249.00	
39	Galvanized Cast Iron	(32)	1912.00
		(42)	2717.00
49	Bronze Mesh Over Dome	1001.00	
50	Stainless Steel Mesh Over Dome	1001.00	

**3042**

13" Diameter Combination Primary/Overflow Drain

Dome Free Area = 75.0

ROOF DRAINS



Outlet (Pipe Size)	Painted Cast Iron Body and Flashing Ring with:				
	Dome Option Suffix				
	3	32	40	42	46
	Bronze	Poly	Galv. C.I.	Cast Iron	Aluminum
2,3,4,5,6"	\$ 2344.00	\$ 1815.00	\$ 2164.00	\$ 1937.00	\$ 2116.00

Pipe Size	2"	3"	4"	5"	6"
Wt. Lbs.	29.0	28.9	29.0	28.8	28.8

Dimensions (Inches)			
Pipe Size	2"	3"	4"
B	5-1/2	5-3/4	5-3/4
C	2-1/2	2-3/4	3

Outlet Variations		
Type	Designation Suffix	Add
No-Hub	2NH,3NH,4NH,5NH,6NH	N/C
Push On	2TY,3TY,4TY	N/C
Inside Caulk	2IC,3IC,4IC,5IC,6IC	N/C
Threaded	3IPS,4IPS	\$ 156.00

Optional Extensions & Drain Risers			
Suffix	Description	Add	
		Painted	(39) Galv.
DF	Fixed Extension * (1",2",3" or 4") *	\$ 1318.00	\$ 1989.00

**Regularly Furnished:** Cast iron combination primary/overflow drain with flange, flashing ring, gravel stop, bearing pan, external dam and locking dome.

\* Dimensions vary from illustration

Suffix Options			
Suffix	Description	Add	
ARC	Acid Resistant Coating (Armor Clad)	\$ 2031.00	
DFS	Perforated Stainless Steel Extension (1-4") *	1250.00	
	For Each Addition 1" (Add/In.)	140.00	
DP	Perforated Stainless Steel Gravel Stop *	1250.00	
SO	90° Side Outlet Body (3IPS,3IPS,4IPS) *	314.00	
VP	Vandal Proof Top	231.00	
39	Galvanized Cast Iron	(32)	785.00
		(42)	1012.00
48	Flush Grate in Lieu of Dome *	688.00	
49	Bronze Mesh Over Dome	928.00	
50	Stainless Steel Mesh Over Dome	928.00	



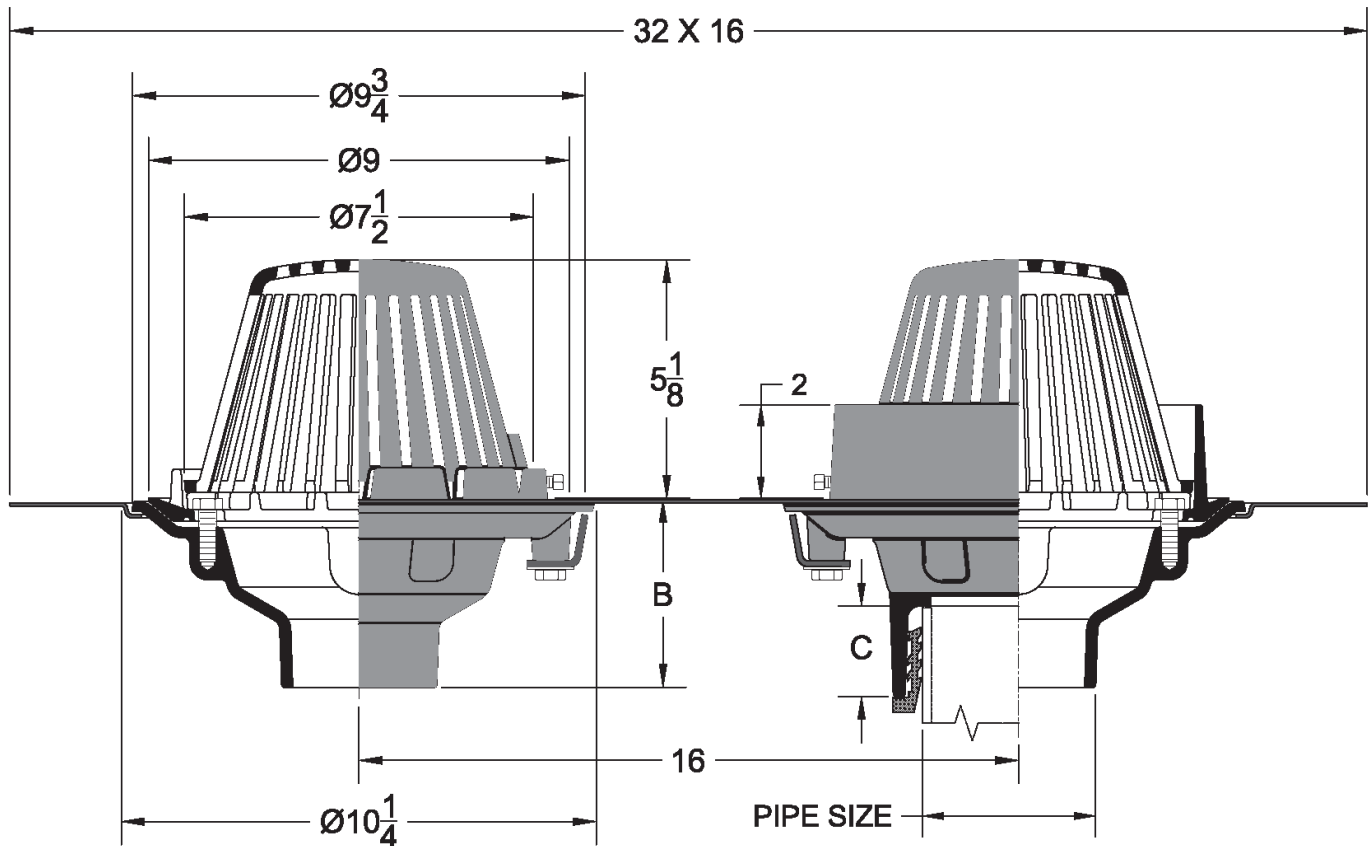
# ROOF DRAINS



**3043**

9-3/4" Diameter Combination Primary/Overflow Drain

Dome Free Area = 43.0



ROOF DRAINS

Outlet (Pipe Size)	Painted Cast Iron Body and Flashing Ring with:				
	Dome Option Suffix				
	3	32	40	42	46
	Bronze	Poly	Galv. C.I.	Cast Iron	Aluminum
2,3,4"	\$ 2077.00	\$ 1557.00	\$ 1956.00	\$ 1742.00	\$ 1926.00
6"	2446.00	1925.00	2325.00	2111.00	2296.00

Pipe Size	2"	3"	4"	6"
Wt. Lbs.	16.0	16.4	16.5	17.0

Dimensions (Inches)				
Outlet Style	No-Hub	Push-On	Inside Caulk	Threaded
<b>B</b>	4	4-1/4	4-3/4	3-1/4
<b>C</b>	2	N/A	N/A	N/A

Outlet Variations		
Type	Designation Suffix	Add
No-Hub	2NH,3NH,4NH,6NH	N/C
Push On	2TY,3TY,4TY	N/C
Inside Caulk	2IC,3IC,4IC	N/C
Threaded	2IPS,3IPS,4IPS	\$ 156.00

Optional Extensions & Drain Risers			
Suffix	Description	Add	
		Painted	(39) Galv.
DF	Fixed Extension * (2")	\$ 339.00	\$ 651.00

**Regularly Furnished:** Cast iron combination primary/overflow drain with flange, flashing ring, gravel stop, bearing pan, external dam and secured dome.

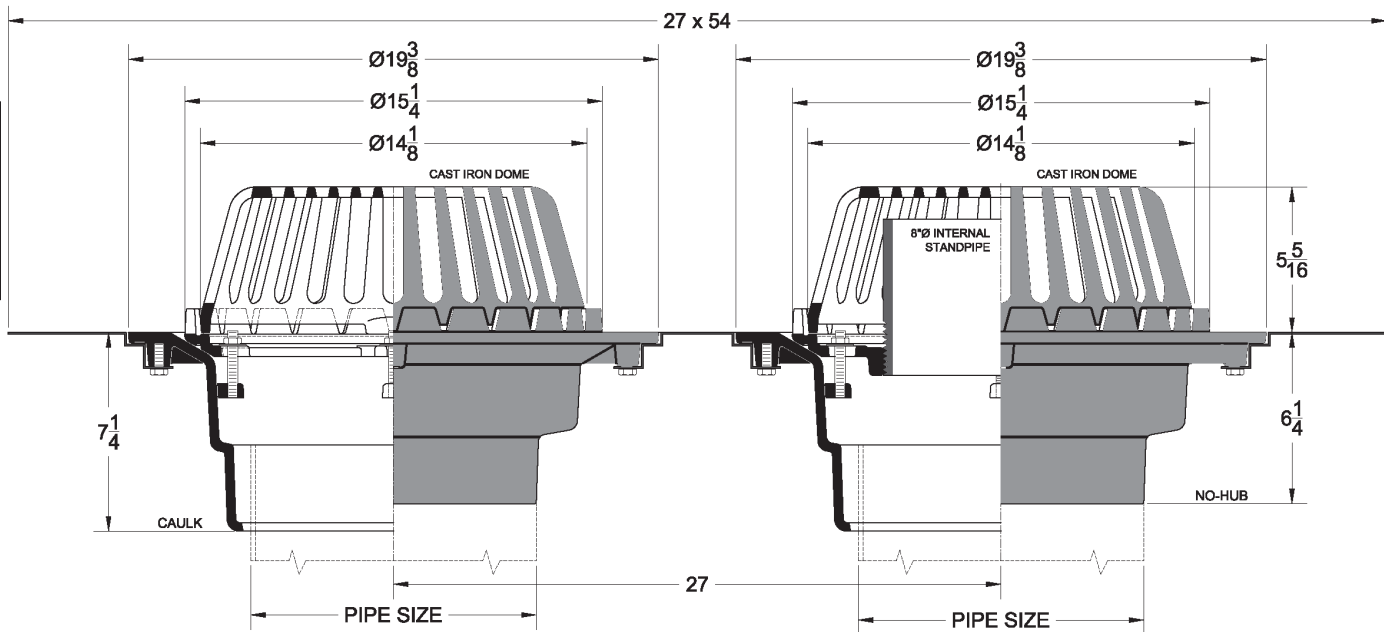
\* Dimensions vary from illustration

Suffix Options			
Suffix	Description	Add	
ARC	Acid Resistant Coating (ArmorClad)	\$ 1525.00	
DP	Perforated Stainless Steel Gravel Stop *	924.00	
DFS	Perforated Stainless Steel Extension (1-4") *	924.00	
	For Each Addition 1" (Add/In.)	140.00	
SD	Adjustable Internal Overflow Dam *	360.00	
SO	90° Side Outlet Body (2IPS,3IPS,4IPS) *	368.00	
VP	Vandal Proof Top	218.00	
39	Galvanized Cast Iron	(32)	398.00
		(42)	612.00
49	Bronze Mesh Over Dome	702.00	
50	Stainless Steel Mesh Over Dome	702.00	

**3044**

19-3/8" Diameter Combination Primary/Overflow Drain

Dome Free Area = 193.0



ROOF  
DRAINS

Outlet (Pipe Size)	Painted Cast Iron Body and Flashing Ring with:			Wt. Lbs.
	Dome Option Suffix			
	40	42	46	
	Galv. C.I.	Cast Iron	Aluminum	
8"	\$ 7174.00	\$ 6348.00	\$ 6837.00	58.0
10"	7564.00	6738.00	7226.00	55.0
12"	7859.00	7033.00	7522.00	60.0

Outlet Variations		
Type	Designation Suffix	Add
No-Hub	8NH, 10NH, 12NH	N/C
Inside Caulk	8IC, 10IC	N/C

**Regularly Furnished:** Cast iron combination primary/overflow drain with flange, flashing ring, gravel stop, bearing pan, internal dam and loose set dome.

\* Dimensions vary from illustration

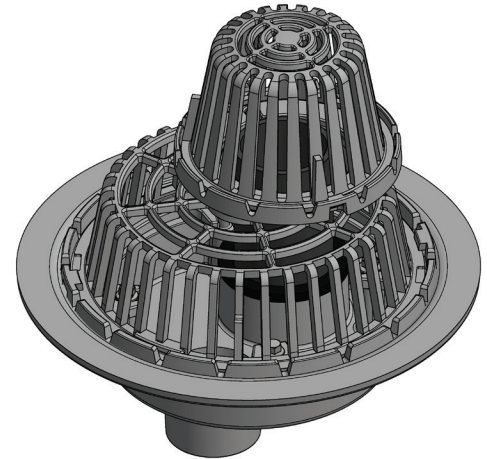
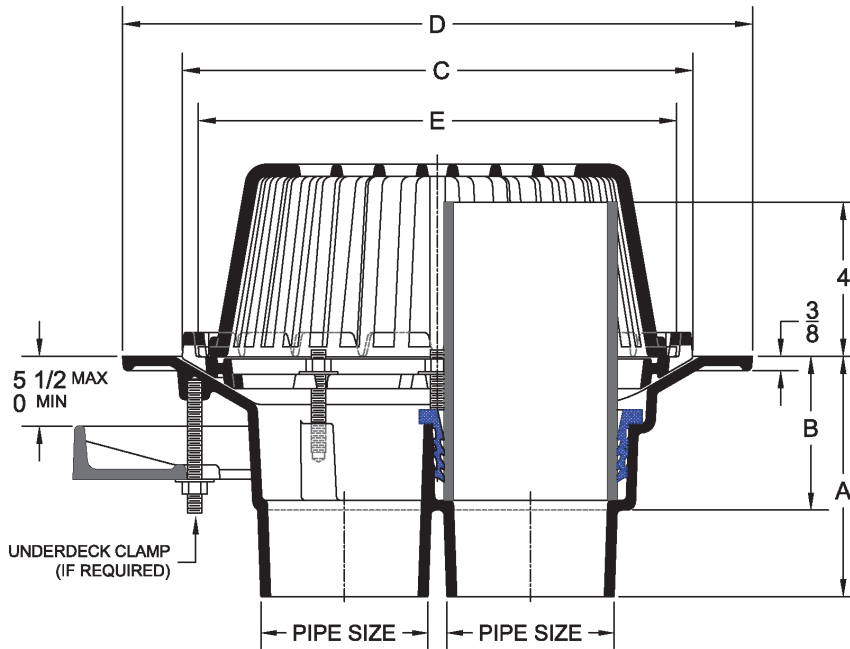
Suffix Options		
Suffix	Description	Add
ARC	Acid Resistant Coating (ArmorClad)	\$ 3733.00
DFS	Perforated Stainless Steel Extension (1-4") *	1989.00
	For Each Addition 1" (Add/In.)	180.00
DP	Perforated Stainless Steel Gravel Stop *	1967.00
VP	Vandal Proof Top	249.00
39	Galvanized Cast Iron (42)	2825.00
49	Bronze Mesh Over Dome	1001.00
50	Stainless Steel Mesh Over Dome	1001.00

Optional Extensions & Drain Risers			
Suffix	Description	Add	
		Painted	(39) Galv.
AE	Adjustable Drain Riser *	\$ 2596.00	\$ 3282.00
DF	Fixed Extension * (1", 2", 3" or 4") *	2077.00	3139.00

# ROOF DRAINS



**3046** Dual Outlet Combination Primary/Overflow Drain



3046-42-3NH-281

ROOF DRAINS

Outlet (Pipe Size)	Painted Cast Iron Body and Flashing Ring with:	
	Dome Option Suffix	
	40	42
	Galv. C.I.	Cast Iron
3"	\$ 3245.00	\$ 2900.00
4"	3676.00	3331.00
6"	3846.00	3500.00

Outlet Variations		
Type	Designation Suffix	Add
No-Hub	3NH,4NH,6NH	N/C

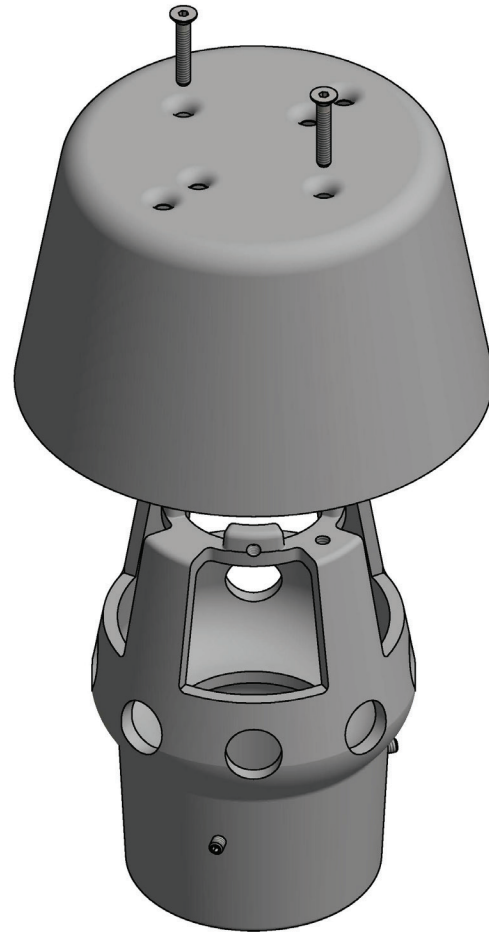
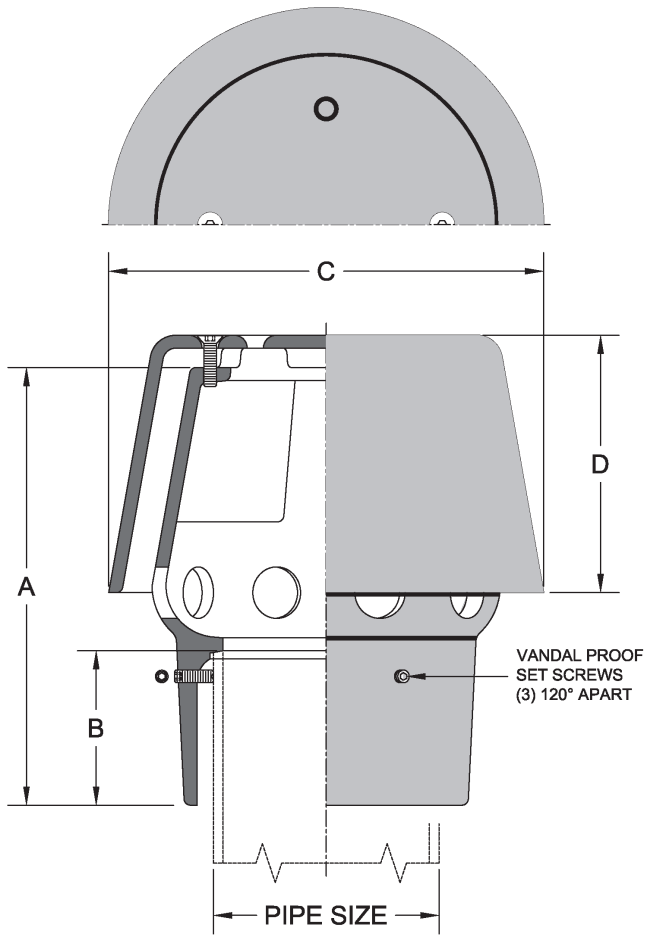
Pipe Size	3"	4"	6"
Wt. Lbs.	35.4	36.5	35.1

Optional Extensions & Drain Risers			
Suffix	Description	Add	
		Painted	(39) Galv.
AE	Adjustable Drain Riser 3"- 4" *	\$ 781.00	\$ 1121.00
AE	Adjustable Drain Riser 6" *	1298.00	1641.00
EB	Adjustable Drain Riser Pan 3" - 4" *	659.00	--
EB	Adjustable Drain Riser Pan 6" *	944.00	--

Regularly Furnished: Cast iron dual outlet combination primary/overflow drain with flange, flashing ring, gravel stop, and locking dome.			
* Dimensions vary from illustration			
Suffix Options		Add	
Suffix	Description	3-4"	6"
ARC	Acid Resistant Coating (ArmorClad)	\$ 1354.00	\$ 1867.00
DFS	Perforated Stainless Steel Extension (1-4") *	773.00	994.00
	For Each Addition 1" (Add/In.)	77.00	90.00
DP	Perforated Stainless Steel Gravel Stop *	783.00	983.00
VP	Vandal Proof Top	124.00	124.00
39	Galvanized Cast Iron (42)	956.00	1422.00
49	Bronze Mesh Over Dome	501.00	501.00
50	Stainless Steel Mesh Over Dome	501.00	501.00
52	Bearing Pan (Sump Receiver) *	271.00	271.00
53	Under Deck Clamp *	243.00	243.00
158	Low Profile Dome	N/C	N/C
189	Bearing Pan w/ Securing Hardware *	436.00	767.00
281	Dual Dome Assembly	1200.00	1830.00

### 3049 Vandal Resistant Emergency Overflow Drain

ROOF  
DRAINS



3049-3SJ

Dimensions (Inches)					
Pipe Size	2"	3"	4"	5"	6"
<b>A</b>	7-5/8	8-3/8	9-1/8	6-3/16	10
<b>B</b>	2-1/2	2-3/4	3	3	3
<b>C</b>	8-7/16	8-7/16	8-7/16	8-7/16	10-5/8
<b>D</b>	5	5	5	5	3

Outlet Size	Regularly Furnished	Free Area (Sq. In.)	Wt. Lbs.
2"	\$ 983.00	6.4	18.0
3"	1032.00	7.5	12.0
4"	1085.00	8.5	14.0
5"	1167.00	11.7	17.0
6"	1214.00	13.4	18.0

Outlet Variations		
Type	Designation Suffix	Add
Slip Joint	2SJ,3SJ,4SJ,5SJ,6SJ	N/C

Regularly Furnished: Cast iron emergency overflow drain with perforated body and secured dome cap.		
Suffix Options		
Suffix	Description	Add
ARC	Acid Resistant Coating (ArmorClad)	\$ 758.00
39	Galvanized Cast Iron	150.00

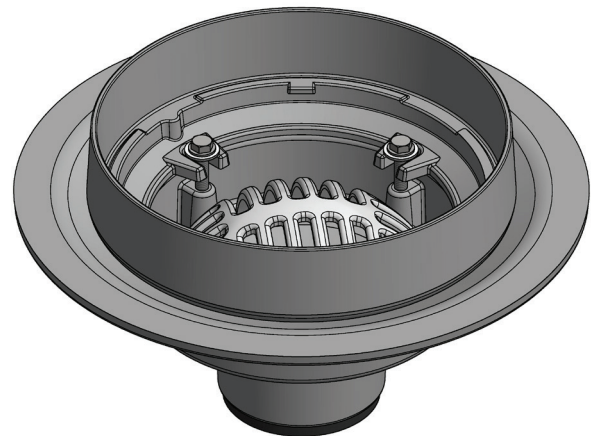
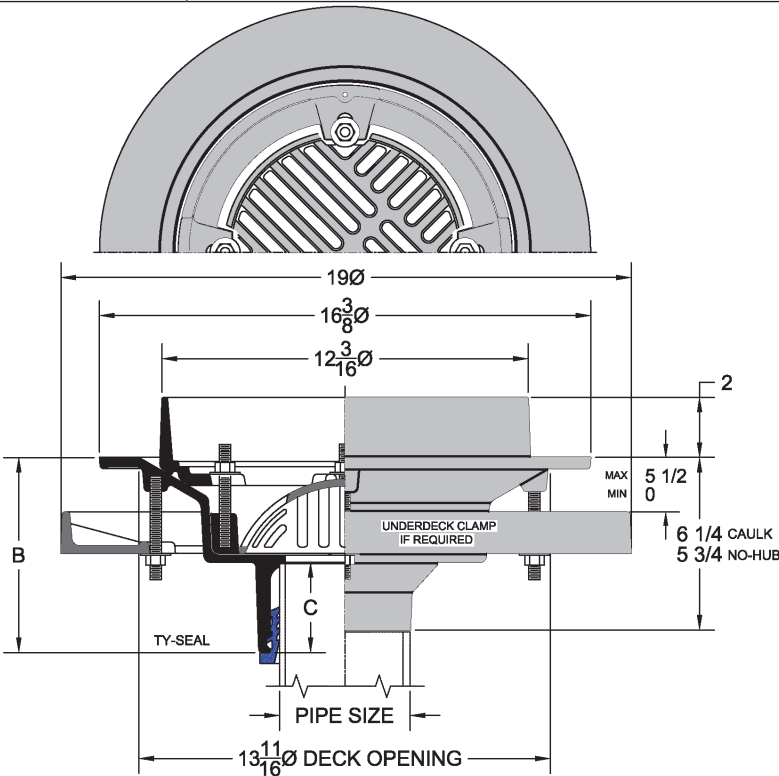
# ROOF DRAINS



**3061**

16-3/8" Diameter Roof Receptor Drain

Dome Free Area = 43.0



3063-46-3TY

ROOF DRAINS

Outlet (Pipe Size)	Painted Cast Iron Body
	Aluminum
2,3,4"	\$ 936.00
5,6"	1254.00
8"	1558.00

Pipe Size	2"	3"	4"	5"	6"	8"
Wt. Lbs.	31.1	31.4	31.5	30.2	30.1	31.5

Dimensions (Inches)				
Pipe Size	2"	3"	4"	6"
<b>B</b>	6-3/8	6-5/8	6-7/8	6-3/8
<b>C</b>	2-1/2	2-3/4	3	3

Outlet Variations		
Type	Designation Suffix	Add
No-Hub	2NH,3NH,4NH,5NH,6NH,8NH	N/C
Push On	2TY,3TY,4TY,6TY(CI),6TX(PVC)	N/C
Inside Caulk	2IC,3IC,4IC,5IC,6IC	N/C
Threaded	2IPS,3IPS,4IPS,5IPS,6IPS,8IPS	\$ 78.00

**Regularly Furnished:** Cast iron indirect waste drain with flange, 2" high dam & internal dome strainer.

\* Dimensions vary from illustration

Optional Extensions & Drain Risers			
Suffix	Description	Add	
		Painted	(39) Galv.
ADF	Adjustable Extension *	\$ 724.00	\$ 1071.00
AE	Adjustable Drain Riser *	781.00	1121.00
DF	Fixed Extension * (1",2",3" or 4") *	659.00	994.00
EB	Adjustable Drain Riser Pan *	659.00	--

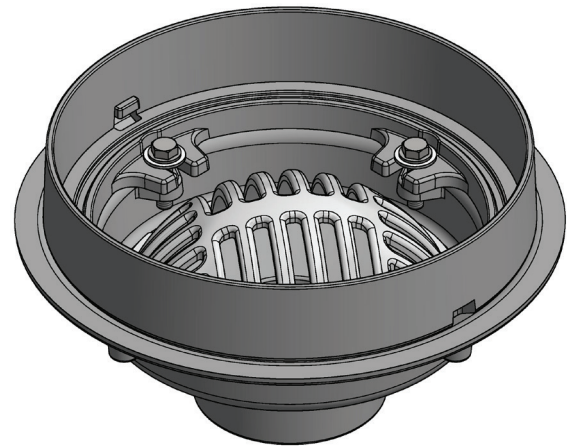
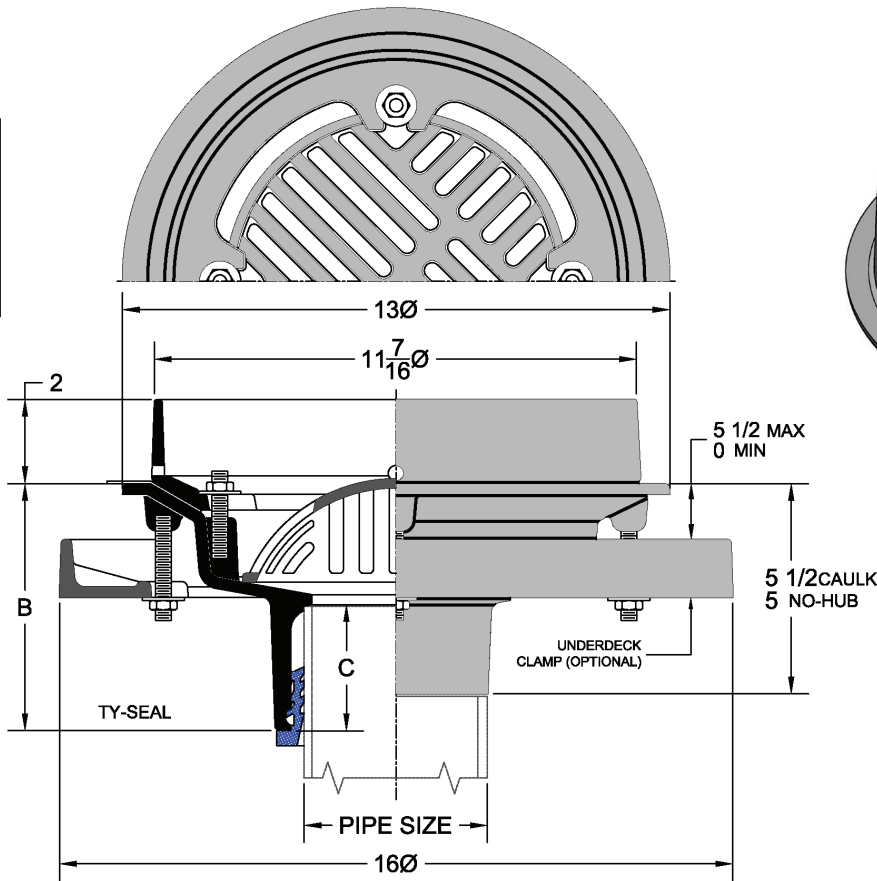
Suffix Options		
Suffix	Description	Add
ARC	Acid Resistant Coating (ArmorClad)	\$ 1354.00
SO	90° Side Outlet Body (3NH,4NH,6NH) *	366.00
39	Galvanized Cast Iron	888.00
52	Bearing Pan (Sump Receiver) *	271.00
53	Under Deck Clamp *	243.00
189	Bearing Pan w/ Securing Hardware *	436.00

**3062**

13" Diameter Receptor Drain

Dome Free Area = 43.0

ROOF DRAINS



3062-46-3TY

Outlet (Pipe Size)	Painted Cast Iron Body with Aluminum
	<b>46</b>
	Aluminum
2,3,4"	\$ 717.00
5,6"	717.00

Pipe Size	2"	3"	4"	5"	6"
Wt. Lbs.	24.0	23.9	24.0	25.8	25.8

**Regularly Furnished:** Cast iron indirect waste drain with flange & 2" high dam internal dome strainer.

\* Dimensions vary from illustration

Dimensions (Inches) Push-On Outlets			
Pipe Size	2"	3"	4"
<b>B</b>	6-3/8	6-5/8	6-7/8
<b>C</b>	2-1/2	2-3/4	3

Outlet Variations		
Type	Designation Suffix	Add
No-Hub	2NH,3NH,4NH,5NH,6NH	N/C
Push On	2TY,3TY,4TY (Includes Gasket)	N/C
Inside Caulk	2IC,3IC,4IC,5IC,6IC	N/C
Threaded	2IPS,3IPS,4IPS,5IPS,6IPS,8IPS	\$ 78.00

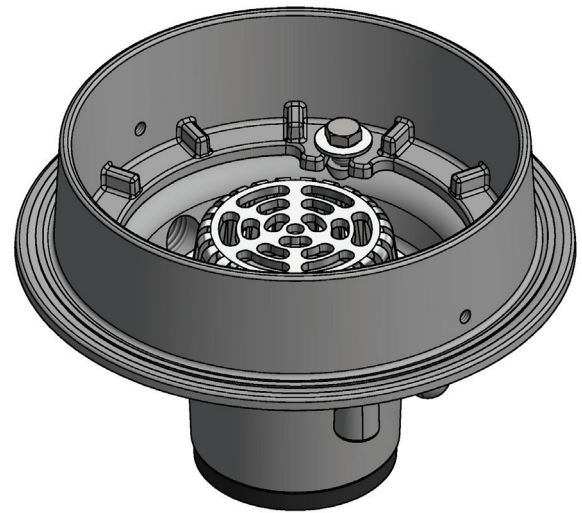
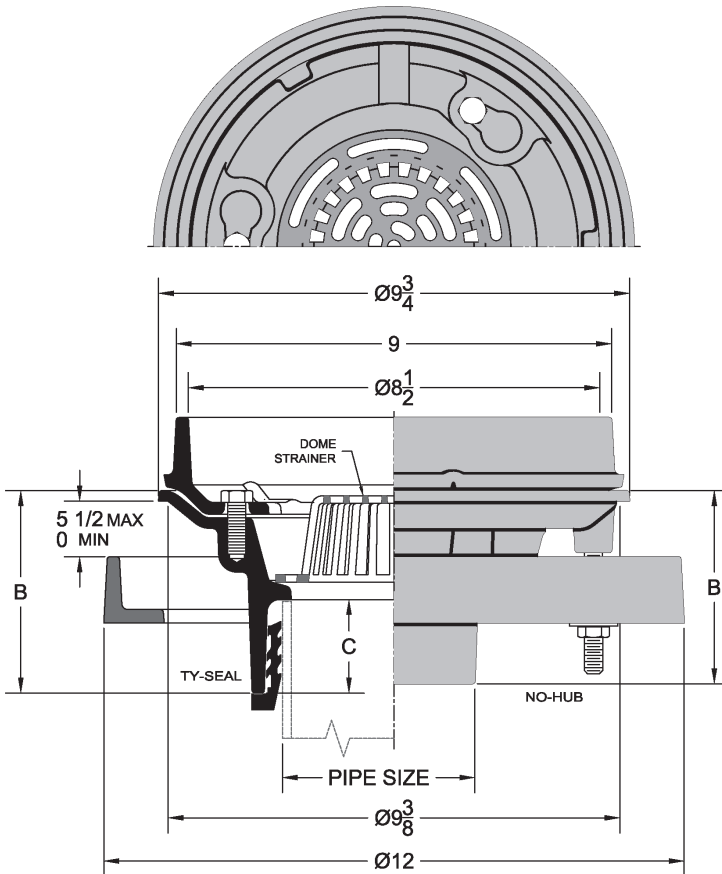
Optional Extensions & Drain Risers			
Suffix	Description	Add	
		Painted	(39) Galv.
DF	Fixed Extension * (1",2",3" or 4") *	\$ 659.00	\$ 994.00
EB	Adjustable Drain Riser Pan *	503.00	--

Suffix Options		
Suffix	Description	Add
ARC	Acid Resistant Coating (ArmorClad)	\$ 1015.00
SO	90° Side Outlet Body (2IPS,3IPS,4IPS) *	157.00
39	Galvanized Cast Iron (42)	169.00
52	Bearing Pan (Sump Receiver) *	271.00
53	Under Deck Clamp *	150.00
189	Bearing Pan w/ Securing Hardware *	338.00

# ROOF DRAINS



<b>3063</b>	9-3/4" Diameter Receptor Drain	Dome Free Area = 15.0
-------------	--------------------------------	-----------------------



3063-3-2TY

ROOF DRAINS

Outlet (Pipe Size)	Painted Cast Iron Body
	<b>46</b>
	Aluminum
2,3,4"	593.00
6"	778.00

Pipe Size	2"	3"	4"	6"
Wt. Lbs.	16.0	16.4	16.5	17.0

Dimensions (Inches)				
Outlet Style	No-Hub	Push-On	Inside Caulk	Threaded
<b>B</b>	4	4-1/4	4-3/4	3-1/4
<b>C</b>	2	N/A	N/A	N/A

Outlet Variations		
Type	Designation Suffix	Add
No-Hub	2NH,3NH,4NH,6NH	N/C
Push On	2TY,3TY,4TY (Includes Gasket)	N/C
Inside Caulk	2IC,3IC,4IC	N/C
Threaded	2IPS,3IPS,4IPS	\$ 78.00

Optional Extensions & Drain Risers			
Suffix	Description	Add	
		Painted	(39) Galv.
DF	Fixed Extension * (1",2",3" or 4") *	\$ 169.00	\$ 326.00
EB	Adjustable Drain Riser Pan *	503.00	---

**Regularly Furnished:** Cast iron indirect waste drain with flange & 2" high dam internal dome strainer.

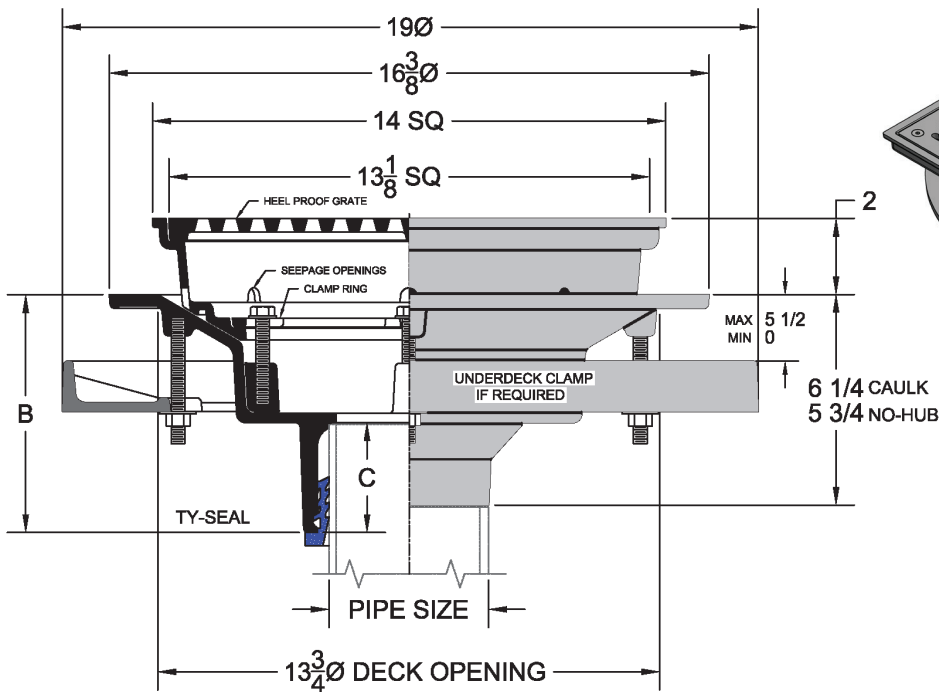
\* Dimensions vary from illustration

Suffix Options		
Suffix	Description	Add
ARC	Acid Resistant Coating (ArmorClad)	\$ 762.00
SO	90° Side Outlet Body (2IPS,3IPS,4IPS) *	184.00
39	Galvanized Cast Iron (42)	197.00
52	Bearing Pan (Sump Receiver) *	271.00
53	Under Deck Clamp *	150.00
189	Bearing Pan w/ Securing Hardware *	338.00

**3101**

14" Square Promenade Deck Drain

Grate Free Area = 46.5



3101-12-4TY

ROOF DRAINS

Outlet (Pipe Size)	Painted Cast Iron Body and Flashing Ring with:			
	Top Option Suffix			
	1	2	12	85
	Nickel Bronze	Satin Bronze	Cast Iron	Stainless Steel
2,3,4"	\$ 2203.00	\$ 2015.00	\$ 1200.00	\$ 2204.00
5,6"	2508.00	2320.00	1505.00	2509.00
8"	2812.00	2624.00	1808.00	2812.00

Pipe Size	2"	3"	4"	5"	6"	8"
Wt. Lbs.	49.1	48.4	49.5	48.2	48.1	52.2

**Regularly Furnished:** Cast iron deck drain with flange, flashing ring, gravel stop, & secured grate.  
 ASME Load Rating - Heavy Duty  
 \* Dimensions vary from illustration

Dimensions (Inches)				
Pipe Size	2"	3"	4"	6"
<b>B</b>	6-3/8	6-5/8	6-7/8	6-3/8
<b>C</b>	2-1/2	2-3/4	3	3

Outlet Variations		
Type	Designation Suffix	Add
No-Hub	2NH,3NH,4NH,5NH,6NH,8NH	N/C
Push On	2TY,3TY,4TY,6TY(CI),6TX(PVC)	N/C
Inside Caulk	2IC,3IC,4IC,5IC,6IC	N/C
Threaded	2IPS,3IPS,4IPS,5IPS,6IPS,8IPS	\$ 78.00

Optional Extensions & Drain Risers			
Suffix	Description	Add	
		Painted	(39) Galv.
ADF	Adjustable Extension *	\$ 724.00	\$ 1071.00
AE	Adjustable Drain Riser *	781.00	1121.00
DF	Fixed Extension * (1",2",3" or 4") *	659.00	994.00
EB	Adjustable Drain Riser Pan *	659.00	--

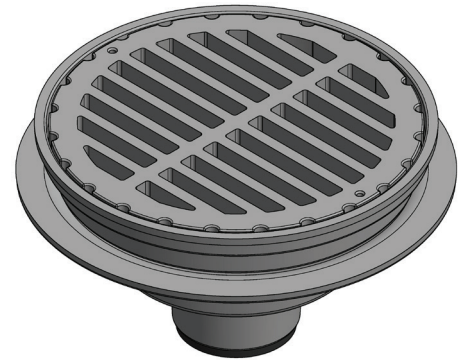
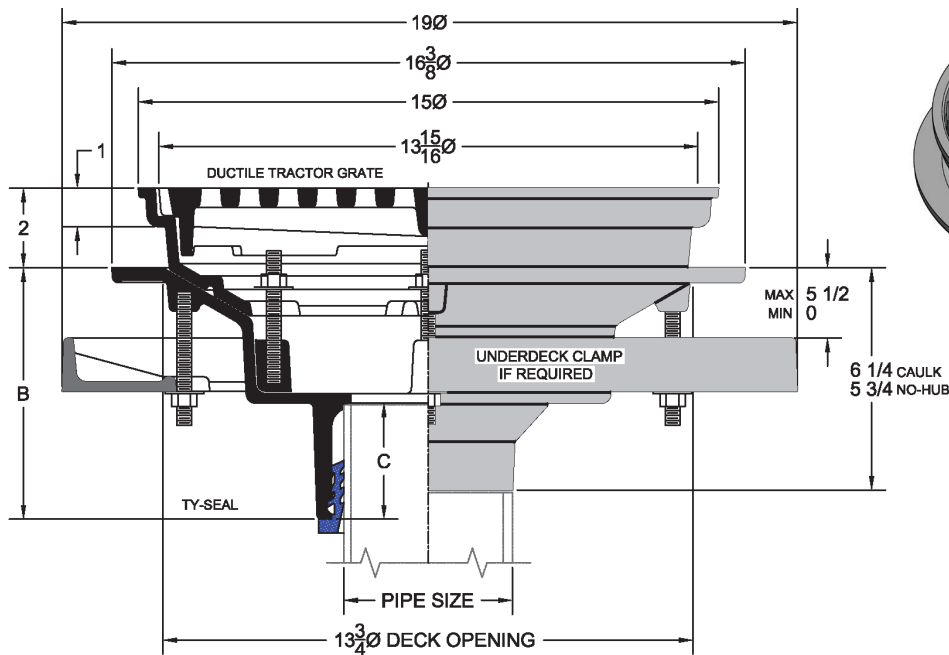
Suffix Options		
Suffix	Description	Add
ARC	Acid Resistant Coating (ArmorClad)	\$ 1354.00
DFS	Perforated Stainless Steel Extension (1-4") *	773.00
	For Each Addition 1" (Add/In.)	77.00
E	Elastomeric Wide Flange Body *	1319.00
SO	90° Side Outlet Body (3NH,4NH,6NH) *	366.00
VP	Vandal Proof Top	146.00
WS	Wide Slot Grate (Free Area = 66.5 Sq.In.)	N/C
39	Galvanized Cast Iron	888.00
52	Bearing Pan (Sump Receiver) *	271.00
53	Under Deck Clamp *	243.00
189	Bearing Pan w/ Securing Hardware *	436.00



# ROOF DRAINS



<b>3105</b>	15" Diameter Round Promenade Deck Drain	Grate Free Area = 63.6
-------------	---	------------------------



3105-12-4TY

ROOF DRAINS

Outlet (Pipe Size)	Painted Cast Iron Body and Flashing Ring with Top Option Suffix:		
	1	2	12
	Nickel Bronze	Satin Bronze	Cast Iron
2,3,4"	\$ 4159.00	\$ 4045.00	\$ 1582.00
5,6"	4464.00	4349.00	1887.00
8"	4767.00	4653.00	2190.00

Pipe Size	2"	3"	4"	5"	6"	8"
Wt. Lbs.	36.1	35.4	36.5	35.2	35.1	36.5

**Regularly Furnished:** Cast iron deck drain with flange, flashing ring, gravel stop, & secured grate.  
ASME Load Rating - Special Duty  
\* Dimensions vary from illustration

Dimensions (Inches)				
Pipe Size	2"	3"	4"	6"
<b>B</b>	6-3/8	6-5/8	6-7/8	6-3/8
<b>C</b>	2-1/2	2-3/4	3	3

Suffix Options		
Suffix	Description	Add
ARC	Acid Resistant Coating (ArmorClad)	\$ 1354.00
DFS	Perforated Stainless Steel Extension (1-4") *	773.00
	For Each Addition 1" (Add/In.)	77.00
E	Elastomeric Wide Flange Body *	1319.00
SO	90° Side Outlet Body (3NH,4NH,6NH) *	366.00
VP	Vandal Proof Top	146.00
11	Heel Proof Grate (Free Area = 41.4 Sq.In.)	N/C
39	Galvanized Cast Iron	933.00
52	Bearing Pan (Sump Receiver) *	271.00
53	Under Deck Clamp *	243.00
189	Bearing Pan w/ Securing Hardware *	436.00

Outlet Variations		
Type	Designation Suffix	Add
No-Hub	2NH,3NH,4NH,5NH,6NH,8NH	N/C
Push On	2TY,3TY,4TY,6TY(CI),6TX(PVC)	N/C
Inside Caulk	2IC,3IC,4IC,5IC,6IC	N/C
Threaded	2IPS,3IPS,4IPS,5IPS,6IPS,8IPS	\$ 78.00

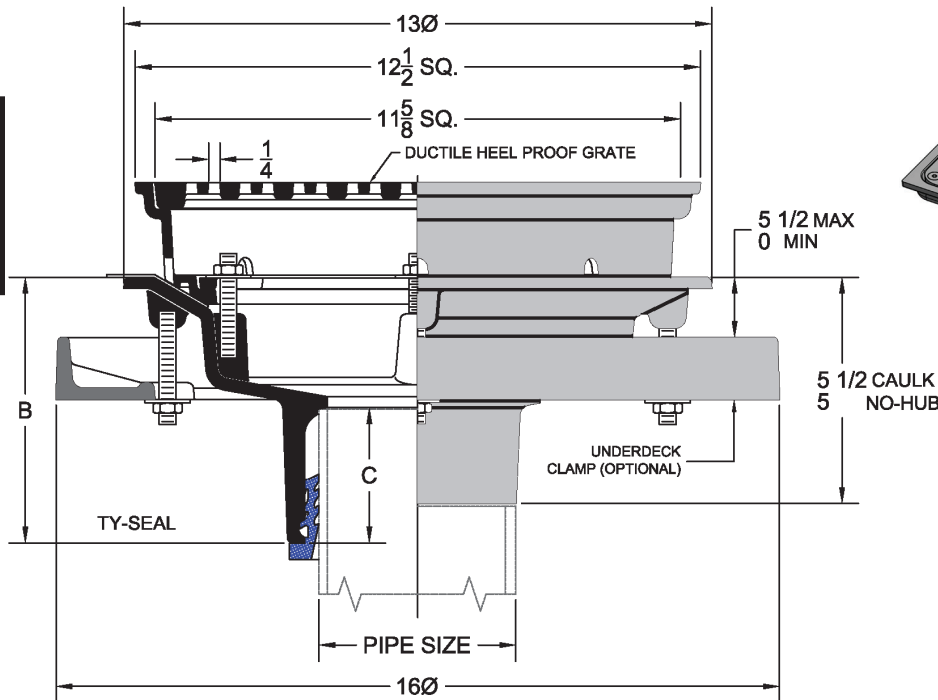
Optional Extensions & Drain Risers			
Suffix	Description	Add	
		Painted	(39) Galv.
ADF	Adjustable Extension *	\$ 724.00	\$ 1071.00
AE	Adjustable Drain Riser *	781.00	1121.00
DF	Fixed Extension * (1",2",3" or 4") *	659.00	994.00
EB	Adjustable Drain Riser Pan *	659.00	--

**3111**

12" Square Promenade Deck Drain

Grate Free Area = 40.8

ROOF DRAINS



3111-12-4TY

Outlet (Pipe Size)	Painted Cast Iron Body and Flashing Ring with:		
	Top Option Suffix		
	1	2	12
	Nickel Bronze	Satin Bronze	Cast Iron
2,3,4,5,6"	\$ 1815.00	\$ 1718.00	\$ 1078.00

Pipe Size	2"	3"	4"	5"	6"
Wt. Lbs.	36.5	36.4	36.5	36.0	36.3

**Regularly Furnished:** Cast iron square promenade deck drain with flange, flashing ring, rotatable collar and heel proof grate. ASME Load Rating - Heavy Duty

\* Dimensions vary from illustration

Dimensions (Inches) Push-On Outlet			
Pipe Size	2"	3"	4"
<b>B</b>	5-1/2	5-1/2	5-3/4
<b>C</b>	2-1/2	2-3/4	3

Outlet Variations		
Type	Designation Suffix	Add
No-Hub	2NH,3NH,4NH,5NH,6NH	N/C
Push On	2TY,3TY,4TY	N/C
Inside Caulk	2IC,3IC,4IC,5IC,6IC	N/C
Threaded	3IPS,4IPS	\$ 78.00

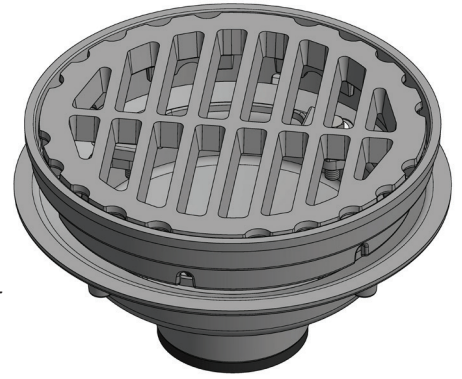
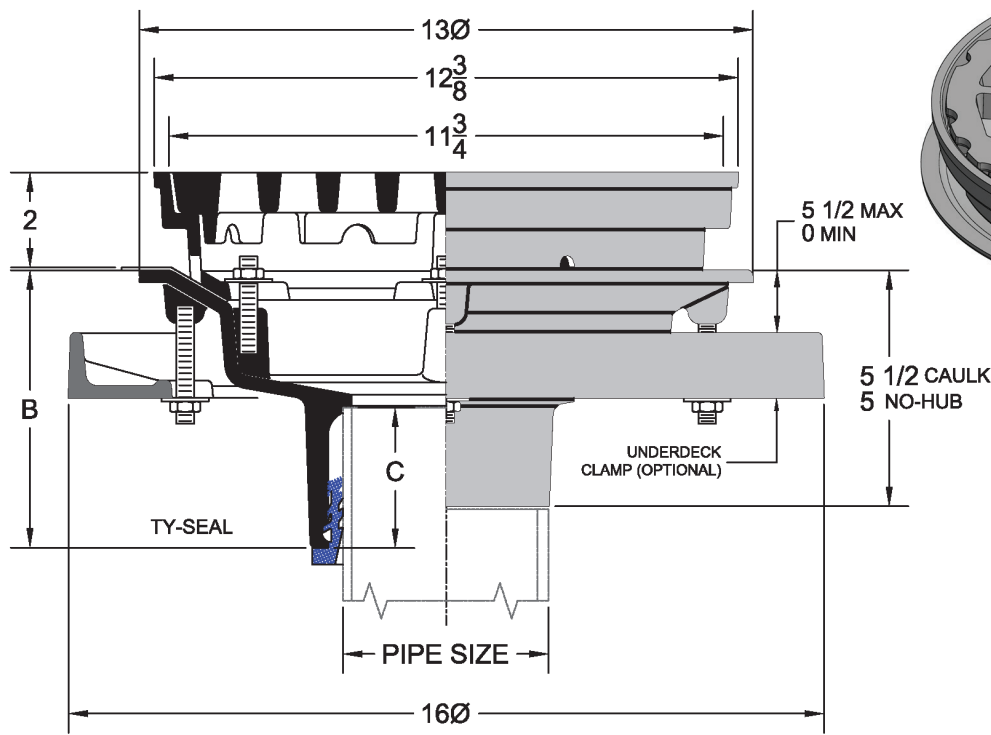
Optional Extensions & Drain Risers			
Suffix	Description	Add	
		Painted	(39) Galv.
DF	Fixed Extension * (1",2",3" or 4") *	\$ 659.00	\$ 994.00
EB	Adjustable Drain Riser Pan *	503.00	N/A

Suffix Options		
Suffix	Description	Add
ARC	Acid Resistant Coating (ArmorClad)	\$ 1015.00
DFS	Perforated Stainless Steel Extension (1-4") *	625.00
	For Each Addition 1" (Add/In.)	70.00
SO	90° Side Outlet Body (2IPS,3IPS,4IPS) *	157.00
VP	Vandal Proof Top	116.00
WS	Wide Slot Grate (Free Area = 52.6 Sq.In.)	N/C
39	Galvanized Cast Iron	499.00
52	Bearing Pan (Sump Receiver) *	271.00
53	Under Deck Clamp *	150.00
189	Bearing Pan w/ Securing Hardware *	338.00

# ROOF DRAINS



<b>3115</b>	12" Diameter Round Promenade Deck Drain	Grate Free Area = 43.4
-------------	---	------------------------



3115-12-4TY

ROOF DRAINS

Outlet (Pipe Size)	Painted Cast Iron Body and Flashing Ring with:		
	Top Option Suffix		
	1	2	12
	Nickel Bronze	Satin Bronze	Cast Iron
2,3,4,5,6"	\$ 1503.00	\$ 1718.00	\$ 1078.00

Pipe Size	2"	3"	4"	5"	6"
Wt. Lbs.	36.5	36.4	36.5	36.0	36.3

Dimensions (Inches) Push-On Outlet			
Pipe Size	2"	3"	4"
<b>B</b>	5-1/2	5-1/2	5-3/4
<b>C</b>	2-1/2	2-3/4	3

**Regularly Furnished:** Cast iron round promenade deck drain with flange, flashing ring, collar and wide slot grate.

ASME Load Rating - Special Duty  
\* Dimensions vary from illustration

Outlet Variations		
Type	Designation Suffix	Add
No-Hub	2NH,3NH,4NH,5NH,6NH	N/C
Push On	2TY,3TY,4TY	N/C
Inside Caulk	2IC,3IC,4IC,5IC,6IC	N/C
Threaded	3IPS,4IPS	\$ 78.00

Suffix Options		
Suffix	Description	Add
ARC	Acid Resistant Coating (ArmorClad)	\$ 1015.00
DFS	Perforated Stainless Steel Extension (1-4") *	625.00
	For Each Addition 1" (Add/In.)	70.00
SO	90° Side Outlet Body (3NH,4NH,6NH) *	157.00
VP	Vandal Proof Top	146.00
11	Heel Proof Grate (Free Area = 24.7 Sq.In.)	N/C
39	Galvanized Cast Iron	499.00
52	Bearing Pan (Sump Receiver) *	271.00
53	Under Deck Clamp *	150.00
189	Bearing Pan w/ Securing Hardware *	338.00

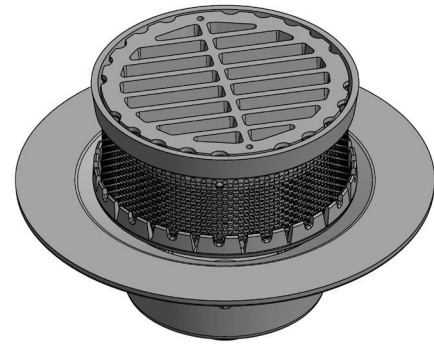
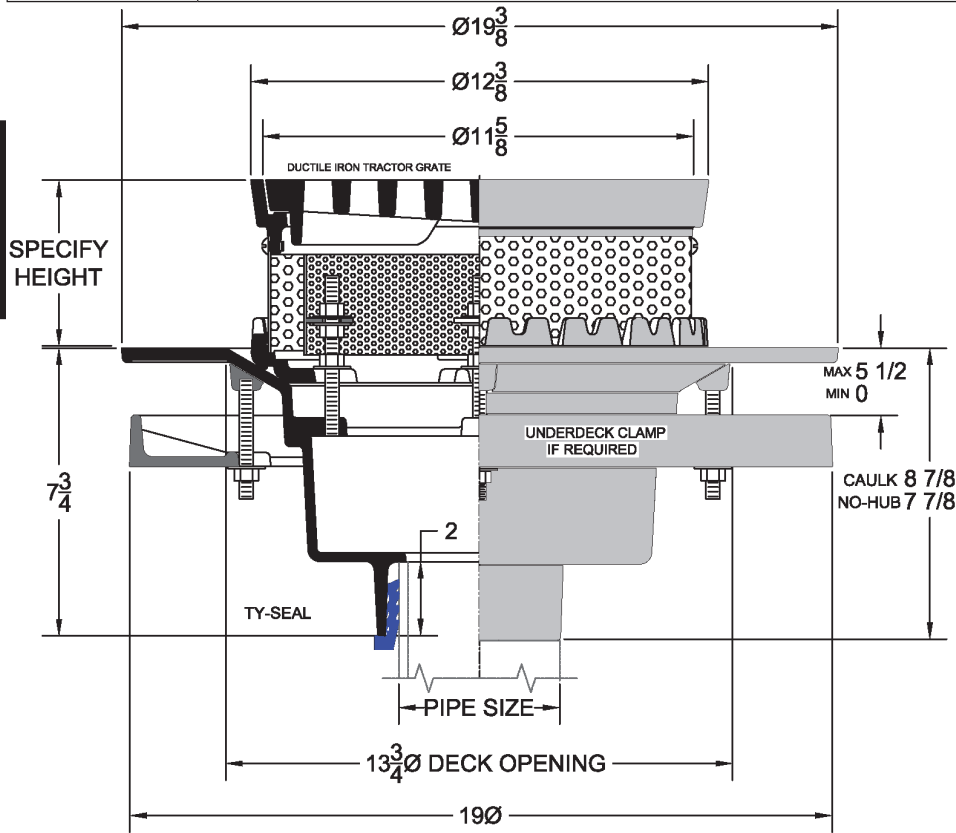
Optional Extensions & Drain Risers			
Suffix	Description	Add	
		Painted	(39) Galv.
DF	Fixed Extension * (1",2",3" or 4") *	\$ 659.00	\$ 994.00
EB	Adjustable Drain Riser Pan *	503.00	--

**3119**

12" Diameter Round Composite Deck Drain

Grate Free Area = 43.4

ROOF DRAINS



3119-12-4NH

Outlet (Pipe Size)	Painted Cast Iron Body and Flashing Ring with:		
	Top Option Suffix		
	1	2	12
	Nickel Bronze	Satin Bronze	Cast Iron
2,3,4,6"	\$ 6511.00	\$ 5981.00	\$ 4585.00

Pipe Size	2"	3"	4"	5"	6"
Wt. Lbs.	51.1	51.7	52.2	52.7	53.0

**Regularly Furnished:** Cast iron round composite deck drain with flange, flashing ring, grate collar, perforated stainless steel extension and wide slot grate.

ASME Load Rating - Special Duty

\* Dimensions vary from illustration

Outlet Variations		
Type	Designation Suffix	Add
No-Hub	2NH,3NH,4NH,5NH,6NH	N/C
Push On	2TY,3TY,4TY,6TY(C.I.),6TX(PVC)	N/C
Inside Caulk	2IC,3IC,4IC,5IC,6IC	N/C
Threaded	3IPS,4IPS	\$ 78.00

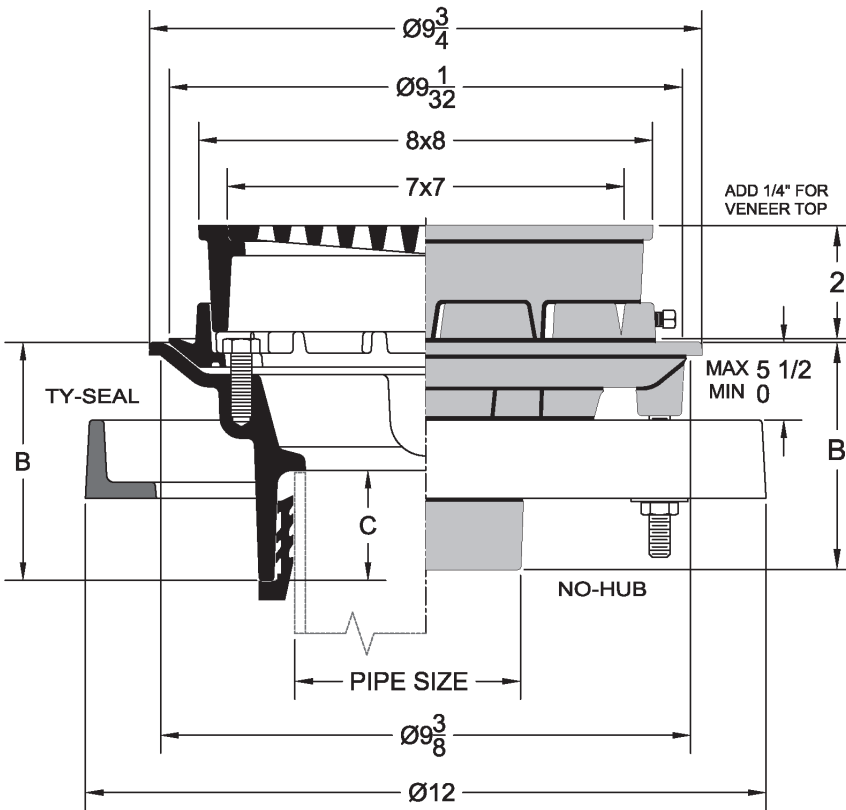
Optional Extensions & Drain Risers			
Suffix	Description	Add	
		Painted	(39) Galv.
ADF	Adjustable Extension *	\$ 724.00	\$ 1071.00
AE	Adjustable Drain Riser *	781.00	1121.00
DF	Fixed Extension * (1",2",3" or 4") *	659.00	994.00
EB	Adjustable Drain Riser Pan *	627.00	N/A

Suffix Options		
Suffix	Description	Add
ARC	Acid Resistant Coating (ArmorClad)	\$ 1354.00
VP	Vandal Proof Top	146.00
8	Secondary Flat Strainer	98.00
11	Heel Proof Grate (Free Area = 24.7 Sq.In.)	N/C
39	Galvanized Cast Iron	887.00
52	Bearing Pan (Sump Receiver) *	271.00
53	Under Deck Clamp *	243.00
189	Bearing Pan w/ Securing Hardware *	436.00

# ROOF DRAINS



<b>3121</b>	8" Square Promenade Deck Drain	Grate Free Area = 14.8
-------------	--------------------------------	------------------------



ROOF DRAINS

Outlet (Pipe Size)	Painted Cast Iron Body and Flashing Ring with:		
	Dome Option Suffix		
	1	2	12
	Nickel Bronze	Satin Bronze	Cast Iron
2,3,4"	\$ 1249.00	\$ 1198.00	\$ 820.00
6"	1433.00	1383.00	1004.00
ASME Load Rating	Light Duty	Light Duty	Heavy Duty

Pipe Size	2"	3"	4"	6"
Wt. Lbs.	17.0	17.0	17.0	22.2

**Regularly Furnished:** Cast iron square promenade deck drain with flange, flashing ring, gravel stop and secured heel proof grate.

\* Dimensions vary from illustration

Dimensions (Inches) Push-On Outlet				
Outlet Type	No-Hub	Push-On	Inside Caulk	Threaded
<b>B</b>	4	4-1/4	4-3/4	3-1/4
<b>C</b>	•	2	•	•

Suffix Options		
Suffix	Description	Add
ARC	Acid Resistant Coating (ArmorClad)	\$ 762.00
DFS	Perforated Stainless Steel Extension (1-4") *	462.00
	For Each Addition 1" (Add/In.)	70.00
SO	90° Side Outlet Body (2IPS,3IPS,4IPS) *	184.00
VP	Vandal Proof Top	146.00
8	Secondary Flat Strainer	98.00
39	Galvanized Cast Iron	271.00
52	Bearing Pan (Sump Receiver) *	271.00
53	Under Deck Clamp *	150.00
189	Bearing Pan w/ Securing Hardware *	338.00

Outlet Variations		
Type	Designation Suffix	Add
No-Hub	2NH,3NH,4NH,6NH	N/C
Push On	2TY,3TY,4TY (Includes Gasket)	N/C
Inside Caulk	2IC,3IC,4IC	N/C
Threaded	2IPS,3IPS,4IPS	\$ 78.00

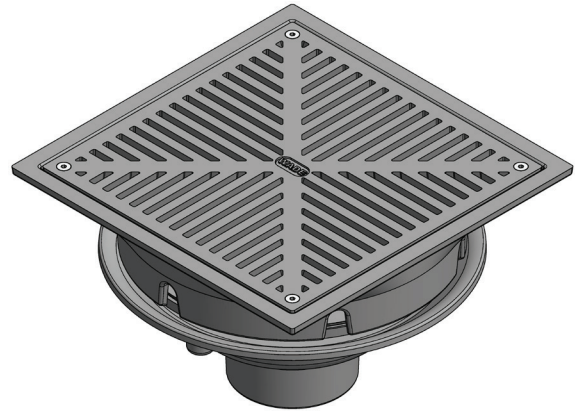
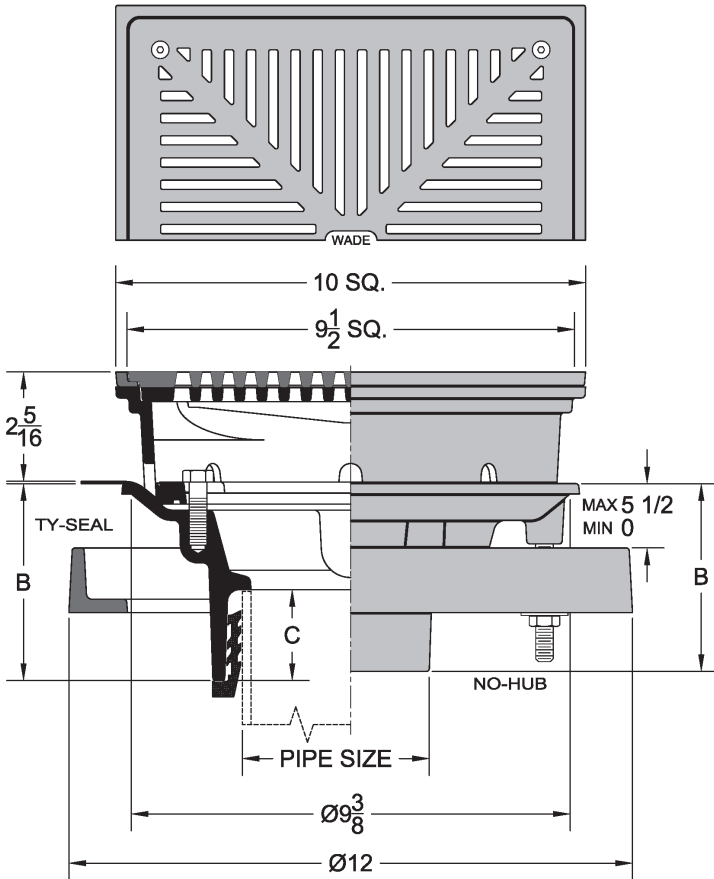
Optional Extensions & Drain Risers			
Suffix	Description	Add	
		Painted	(39) Galv.
DF	Fixed Extension * (1",2",3" or 4") *	\$ 169.00	\$ 326.00
EB	Adjustable Drain Riser Pan *	503.00	--

**3121-DCT**

10" Square Promenade Deck Drain

Grate Free Area = 29.0

ROOF DRAINS



3121-DCT-12-3NH

Outlet (Pipe Size)	Painted Cast Iron Body and Flashing Ring with:		
	Top Option Suffix		
	1	2	12
	Nickel Bronze	Satin Bronze	Cast Iron
2,3,4"	\$ 1350.00	\$ 1298.00	\$ 1250.00
6"	1535.00	1483.00	1435.00

Pipe Size	2"	3"	4"	6"
Wt. Lbs.	18.5	18.5	48.5	23.7

**Regularly Furnished:** Cast iron square promenade deck drain with flange, flashing ring and secured decorative heel proof grate.

\* Dimensions vary from illustration

Dimensions (Inches) Push-On Outlet				
Outlet Type	No-Hub	Push-On	Inside Caulk	Threaded
<b>B</b>	4	4-1/4	4-3/4	3-1/4
<b>C</b>	•	2	•	•

Outlet Variations		
Type	Designation Suffix	Add
No-Hub	2NH,3NH,4NH,6NH	N/C
Push On	2TY,3TY,4TY (Includes Gasket)	N/C
Inside Caulk	2IC,3IC,4IC	N/C
Threaded	2IPS,3IPS,4IPS	\$ 78.00

Optional Extensions & Drain Risers			
Suffix	Description	Add	
		Painted	(39) Galv.
DF	Fixed Extension * (1",2",3" or 4") *	\$ 169.00	\$ 326.00
EB	Adjustable Drain Riser Pan *	503.00	--

Suffix Options		
Suffix	Description	Add
ARC	Acid Resistant Coating (ArmorClad)	\$ 762.00
DFS	Perforated Stainless Steel Extension (1-4") *	462.00
	For Each Addition 1" (Add/In.)	70.00
SO	90° Side Outlet Body (2IPS,3IPS,4IPS) *	184.00
VP	Vandal Proof Top	146.00
8	Secondary Flat Strainer	98.00
39	Galvanized Cast Iron	271.00
52	Bearing Pan (Sump Receiver) *	271.00
53	Under Deck Clamp *	150.00
189	Bearing Pan w/ Securing Hardware *	338.00

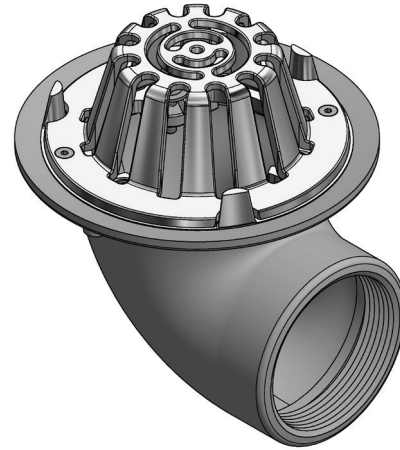
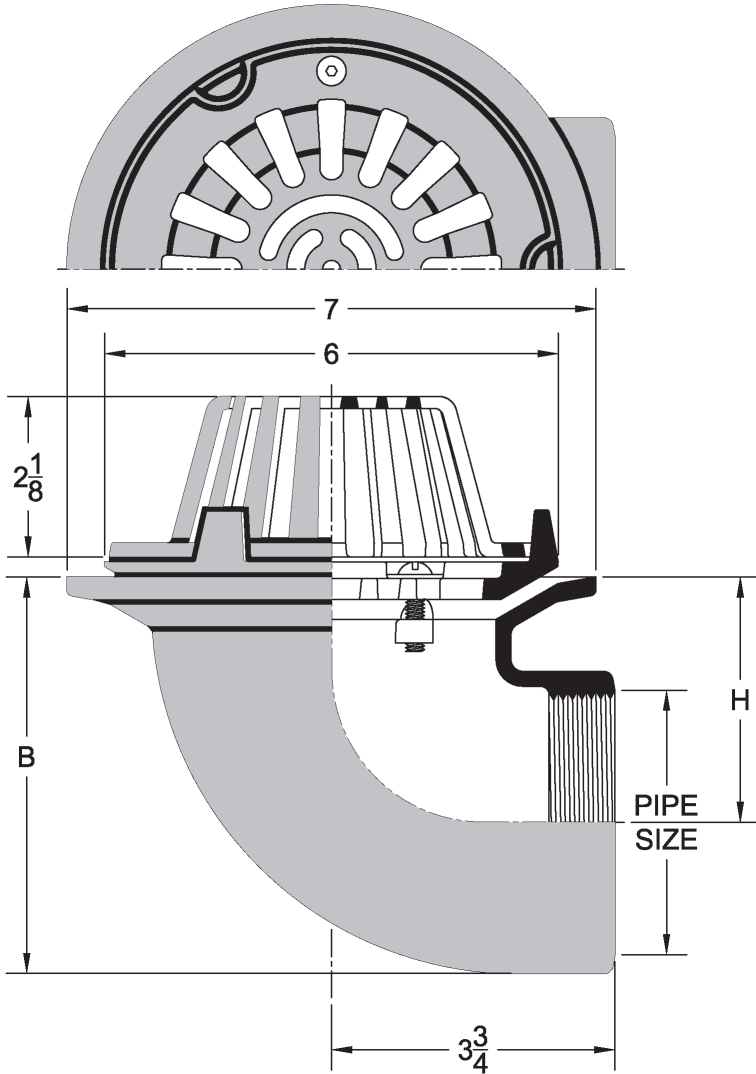
# ROOF DRAINS



**3230**

Cornice / Balcony Drain

Dome Free Area = 11.3



3230-1-3IPS

ROOF DRAINS

Outlet (Pipe Size)	Painted Cast Iron Body with:		Wt. Lbs.
	Dome / Flashing Ring Option Suffix		
	1	3	
	Nickel Bronze	Satin Bronze	
2,3,4"	\$ 888.00	\$ 718.00	15.0

Dimensions (Inches)		
Pipe Size	B	H
2"	4	2-1/2
3"	5-1/4	3-1/4
4"	6-1/4	3-3/4

**Regularly Furnished:** Cast iron cornice / balcony drain with flange, flashing ring, and low profile dome.

\* Dimensions vary from illustration

Suffix Options			
Suffix	Description	Add	
VP	Vandal Proof Top	\$ 56.00	
39	Galvanized Cast Iron	167.00	
47	High Dome (Free Area = 24.5 Sq.In.)	-1	108.00
		-2	98.00
		-3	84.00
48	Flush Grate in Lieu of Dome *	N/C	
50	Stainless Steel Mesh Over Dome	526.00	

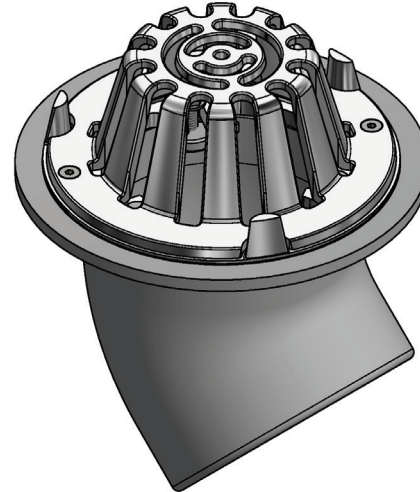
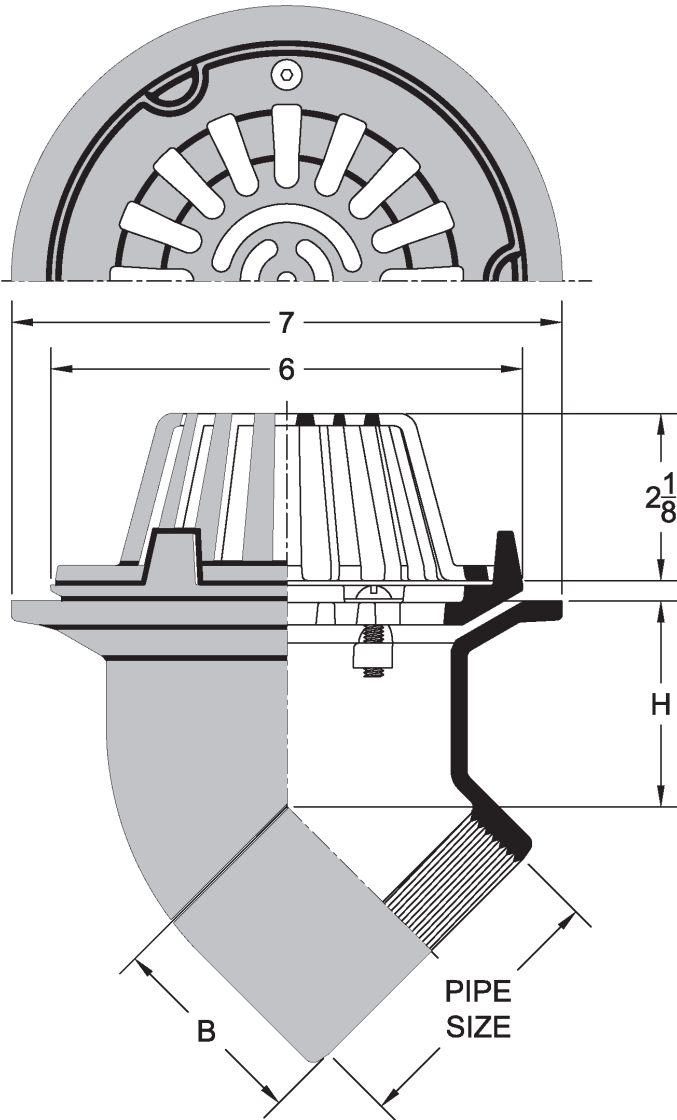
Outlet Variations		
Type	Designation Suffix	Add
Threaded	2IPS,3IPS,4IPS	N/C

**3230-450**

Cornice / Balcony Drain

Dome Free Area = 11.3

ROOF  
DRAINS



3230-450-1-3IPS

Outlet (Pipe Size)	Painted Cast Iron Body with:		Wt. Lbs.
	Dome / Flashing Ring Option Suffix		
	1	3	
2,3,4"	Nickel Bronze	Satin Bronze	12.0
	\$ 888.00	\$ 718.00	

Dimensions (Inches)		
Pipe Size	B	H
2"	4	2-1/2
3"	5-1/4	3-1/4
4"	6-1/4	3-3/4

Outlet Variations		
Type	Designation Suffix	Add
Threaded	2IPS,3IPS,4IPS	N/C

**Regularly Furnished:** Cast iron cornice / balcony drain with flange, flashing ring, and low profile dome.

\* Dimensions vary from illustration

Suffix Options			
Suffix	Description	Add	
VP	Vandal Proof Top	\$ 56.00	
39	Galvanized Cast Iron	167.00	
47	High Dome (Free Area = 24.5 Sq.In.)	-1	108.00
		-2	98.00
		-3	84.00
48	Flush Grate in Lieu of Dome *	N/C	
50	Stainless Steel Mesh Over Dome	526.00	



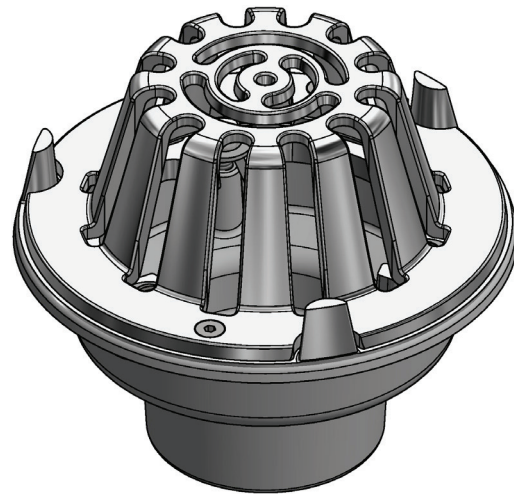
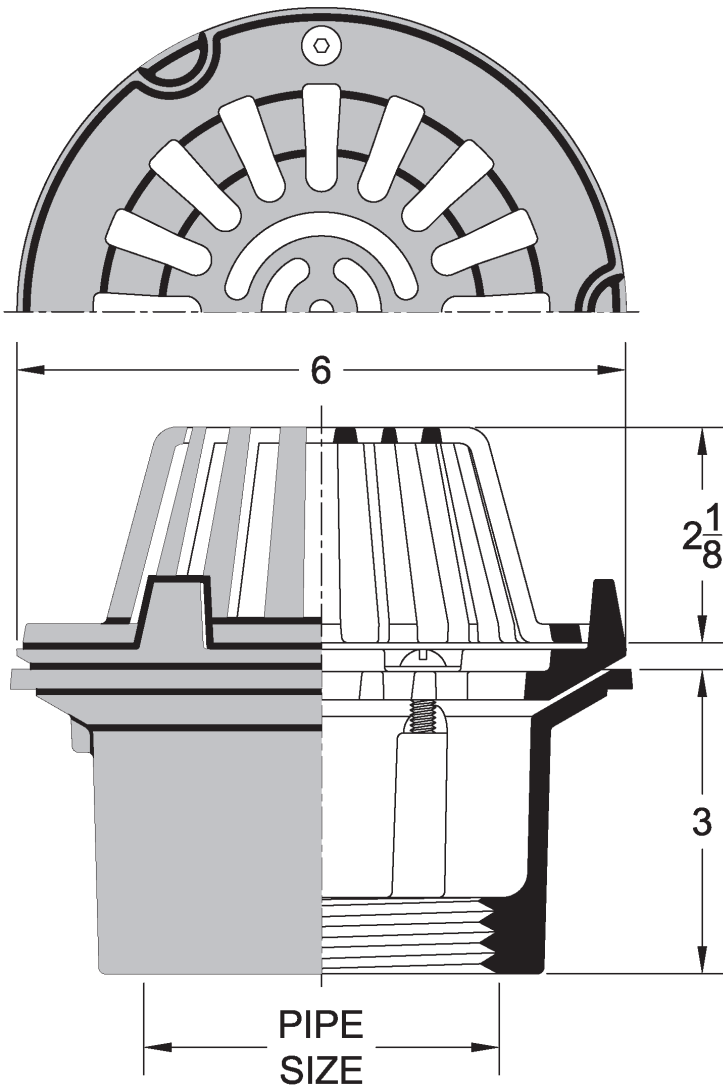
# ROOF DRAINS



**3240**

Cornice / Balcony Drain

Dome Free Area = 11.3



3240-1-2IPS

ROOF DRAINS

Outlet (Pipe Size)	Painted Cast Iron Body with:		Wt. Lbs.
	Dome / Flashing Ring Option Suffix		
	1 Nickel Bronze	3 Satin Bronze	
2"	\$ 935.00	\$ 733.00	8.0
3"	993.00	791.00	8.0
4"	1309.00	1107.00	8.0

Outlet Variations		
Type	Designation Suffix	Add
Threaded	2IPS,3IPS,4IPS	N/C

**Regularly Furnished:** Cast iron cornice / balcony drain with flange, flashing ring, and low profile dome.

\* Dimensions vary from illustration

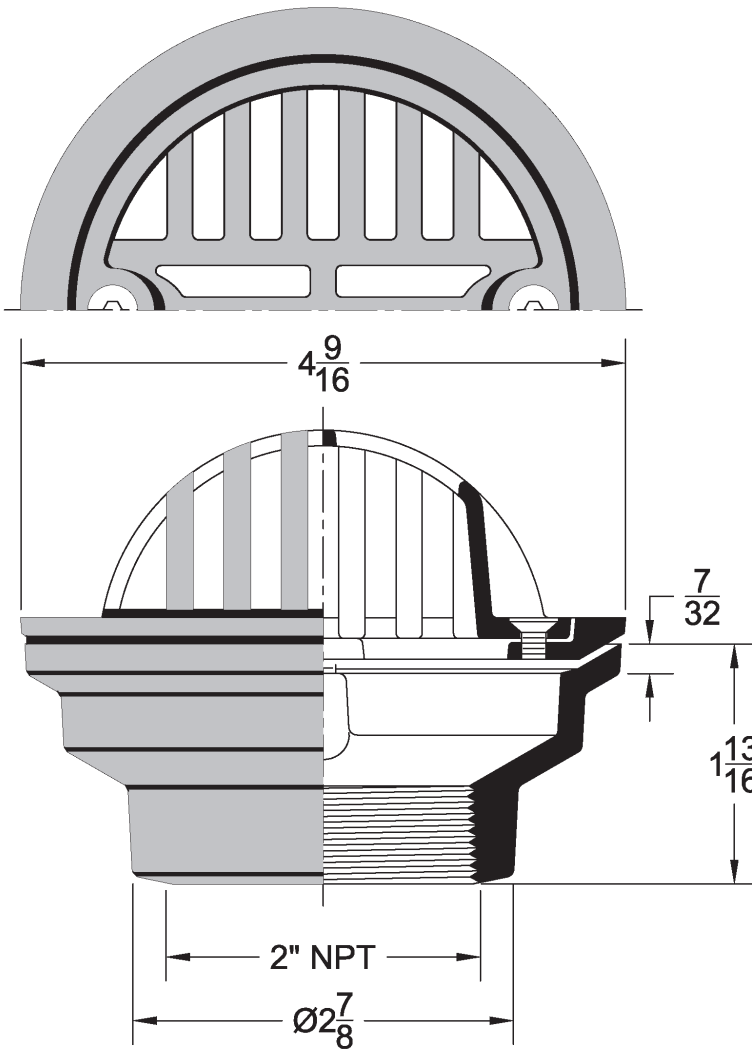
Suffix Options		
Suffix	Description	Add
VP	Vandal Proof Top	\$ 56.00
39	Galvanized Cast Iron	167.00
47	High Dome (Free Area = 24.5 Sq.In.)	-1 108.00
		-2 98.00
		-3 84.00
48	Flush Grate in Lieu of Dome *	N/C
50	Stainless Steel Mesh Over Dome	526.00

**3241**

Cornice / Balcony Drain

Dome Free Area = 4.5

ROOF  
DRAINS



3241-1-2IPS

Outlet (Pipe Size)	Painted Cast Iron Body with:		Wt. Lbs.
	Dome / Flashing Ring Option Suffix		
	1	3	
2,3,4"	Nickel Bronze	Satin Bronze	2.0
	\$ 620.00	\$ 416.00	

**Regularly Furnished:** Cast iron cornice / balcony drain with flange, flashing ring, and low profile dome.

\* Dimensions vary from illustration

Suffix Options		
Suffix	Description	Add
VP	Vandal Proof Top	\$ 56.00
39	Galvanized Cast Iron	167.00
48	Flush Grate in Lieu of Dome *	N/C
50	Stainless Steel Mesh Over Dome	526.00

Outlet Variations		
Type	Designation Suffix	Add
Threaded	2IPS,3IPS,4IPS	N/C

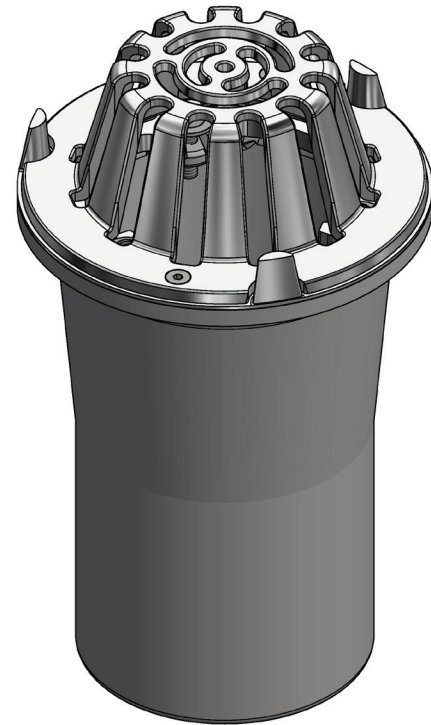
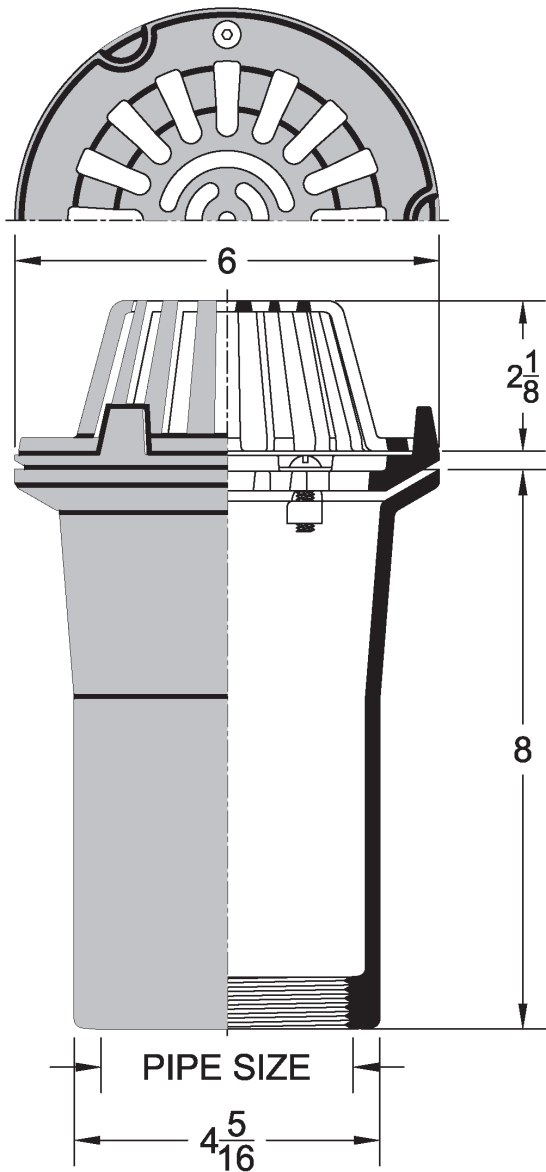
# ROOF DRAINS



**3242**

Cornice / Balcony Drain

Dome Free Area = 11.3



3242-1-3IPS

ROOF DRAINS

Outlet (Pipe Size)	Painted Cast Iron Body with:		Wt. Lbs.
	Dome / Flashing Ring Option Suffix		
	1 Nickel Bronze	3 Satin Bronze	
2"	\$ 1453.00	\$ 1137.00	14.0
3"	1562.00	1196.00	15.0
4"	1879.00	1511.00	16.0

**Regularly Furnished:** Cast iron cornice / balcony drain with flange, flashing ring, and low profile dome.

\* Dimensions vary from illustration

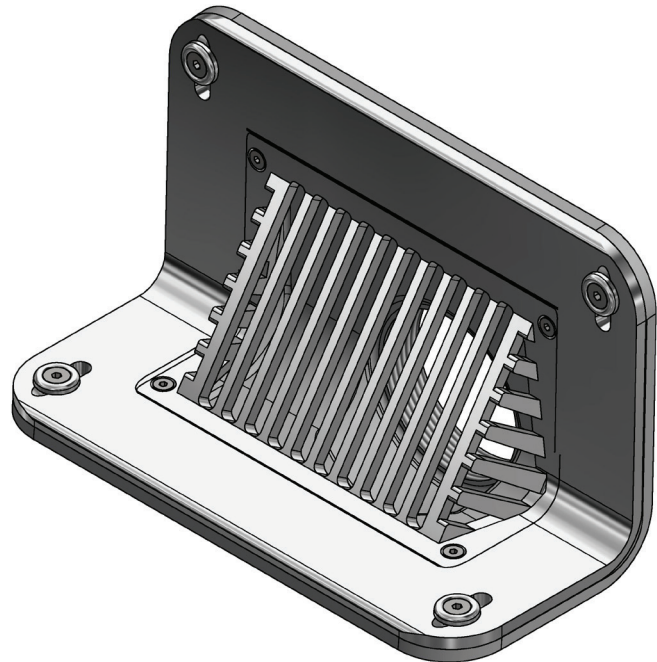
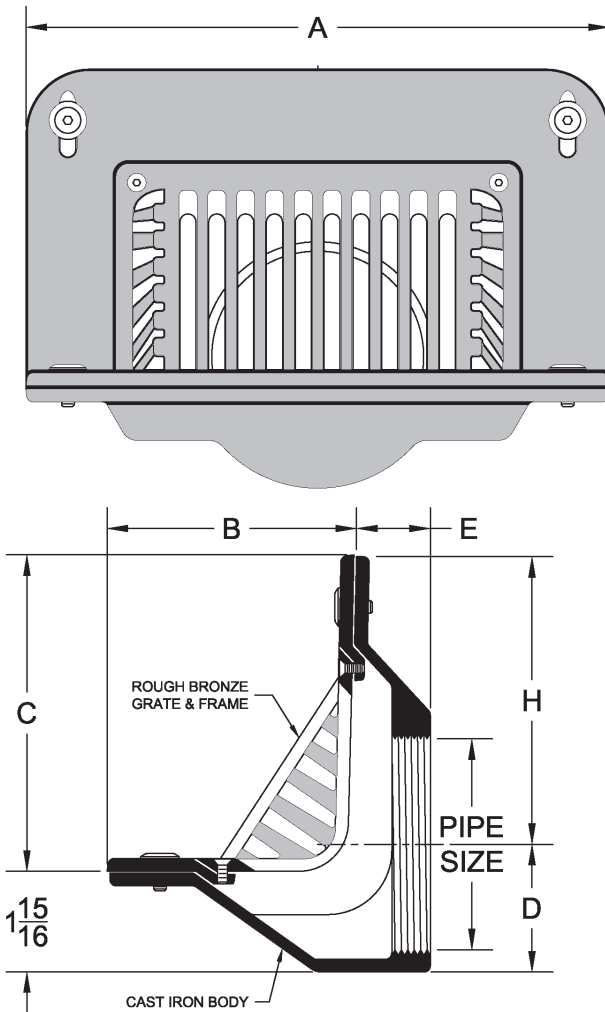
Suffix Options		
Suffix	Description	Add
VP	Vandal Proof Top	\$ 56.00
39	Galvanized Cast Iron	167.00
47	High Dome (Free Area = 24.5 Sq.In.)	-1 108.00
		-3 84.00
48	Flush Grate in Lieu of Dome *	N/C
50	Stainless Steel Mesh Over Dome	526.00

Outlet Variations		
Type	Designation Suffix	Add
Threaded	2IPS,3IPS,4IPS	N/C
No-Hub	4NH	N/C

### 3270

### Scupper / Parapet Drain

ROOF DRAINS



3270-1-3IPS

Outlet Size	Painted Cast Iron Body with:				Grate Free Area (Sq.In.)
	Top Option Suffix				
	1	2	42	46	
	Nickel Bronze	Satin Bronze	Cast Iron	Aluminum	
2,3,4"	\$ 1625.00	\$ 1372.00	\$ 616.00	\$ 702.00	31.0
5,6,8"	2203.00	1954.00	1198.00	1284.00	72.0

Dimensions (Inches)						
Pipe Size	A	B	C	D	E	H
2"	11-3/8	4-11/16	6-3/16	1-1/2	1-3/4	6-11/16
3"	11-3/8	4-11/16	6-3/16	2-1/16	1-3/4	6-11/16
4"	11-3/8	4-11/16	6-3/16	2-9/16	1-3/4	6-11/16
5"	13-1/2	8-3/8	8-3/8	3-3/16	3-9/16	7-13/16
6"	13-1/2	8-3/8	8-3/8	3-11/16	3-9/16	7-13/16
8"	13-1/2	8-3/8	8-3/8	5	4	8-13/16

Outlet Variations		
Type	Designation Suffix	Add
Threaded	2IPS,3IPS,4IPS,5IPS,6IPS,8IPS	N/C

Pipe Size	2"	3"	4"	5"	6"	8"
Wt. Lbs.	19.0	17.0	17.0	28.0	28.0	33.0

**Regularly Furnished:** Cast iron scupper / parapet drain with flange, flashing ring and oblique grate.

\* Dimensions vary from illustration

Suffix Options			
Suffix	Description	Add	
DSA	Downspout Adapter *	2,3,4"	\$ 342.00
		5,6,8"	559.00
VP	Vandal Proof Top Assembly	57.00	
39	Galvanized Cast Iron	2,3,4"	241.00
		5,6,8"	477.00
45O	45 Degree Side Outlet *	2,3,4"	N/C
		5,6,8"	N/A
49	Bronze Mesh Over Grate	530.00	
50	Stainless Steel Mesh Over Grate	530.00	

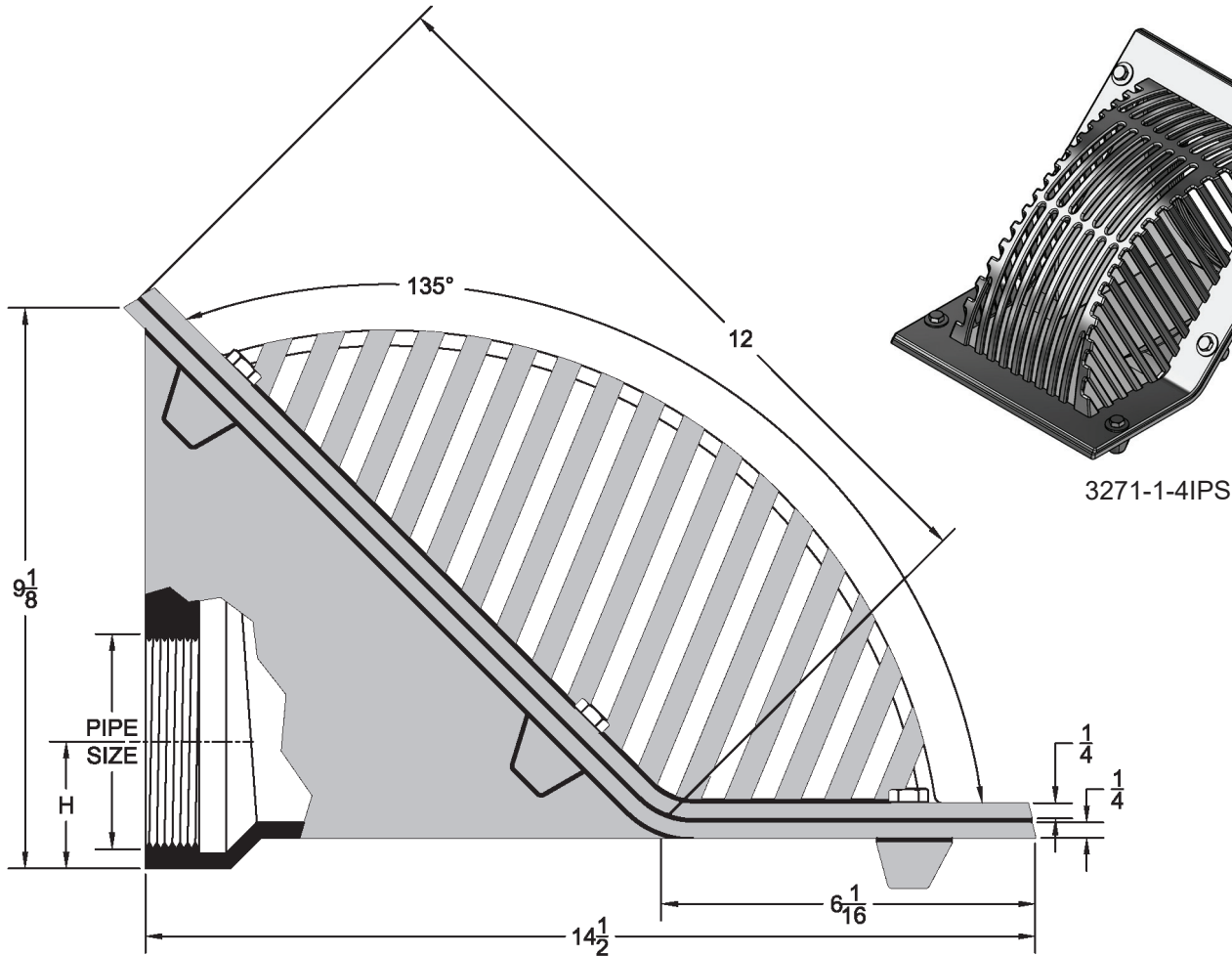
# ROOF DRAINS



**3271**

Scupper / Parapet Drain

Dome Free Area = 114.3



ROOF DRAINS

Outlet Size	Painted Cast Iron Body with:		
	Top Option Suffix		
	1	2	3
	Nickel Bronze	Satin Bronze	Rough Bronze
2,3,4,5,6"	\$ 4620.00	\$ 4392.00	\$ 3842.00

Pipe Size	2"	3"	4"	5"	6"
Wt. Lbs.	58.0	57.0	55.0	53.0	50.0

**Regularly Furnished:** Cast iron scupper / parapet drain with 90 degree side outlet, secured flashing clamp & 135 degree angle grate.

\* Dimensions vary from illustration

Dimensions (Inches)	
Pipe Size	H
2"	1-3/8
3"	1-15/16
4"	2-7/16
5"	3
6"	3-1/2

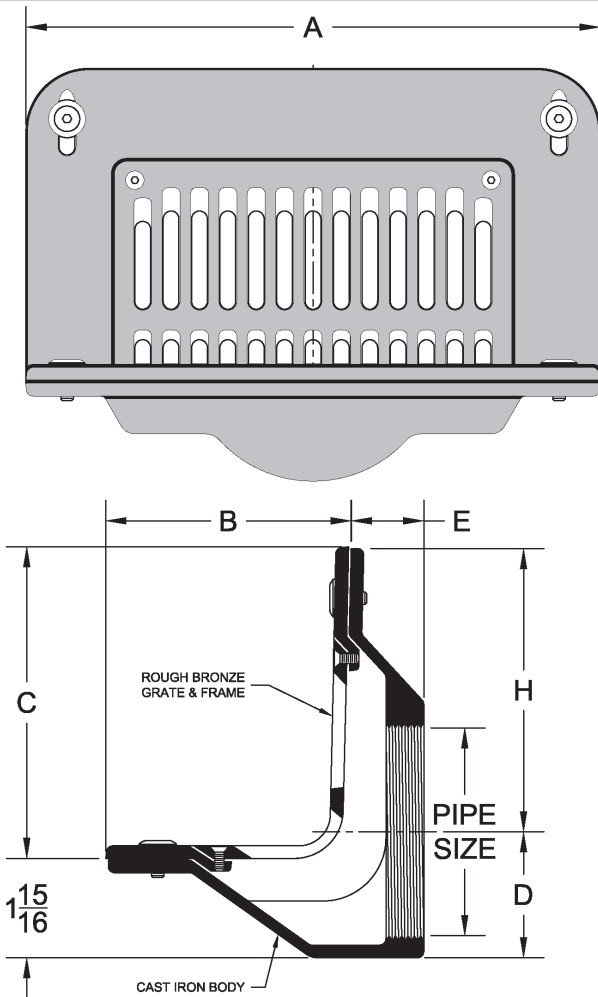
Suffix Options		
Suffix	Description	Add
DSA	Downspout Adapter *	2,3,4" \$ 342.00
		5,6,8" 559.00
VP	Vandal Proof Top Assembly	57.00
39	Galvanized Cast Iron	535.00
49	Bronze Mesh Over Grate	530.00
50	Stainless Steel Mesh Over Grate	530.00

Outlet Variations		
Type	Designation Suffix	Add
Threaded	2IPS,3IPS,4IPS,5IPS,6IPS,8IPS	N/C

**3290**

Scupper / Parapet Drain

ROOF  
DRAINS



3290-1-3IPS

Outlet Size	Painted Cast Iron Body with:				Grate Free Area (Sq.In.)
	Top Option Suffix				
	1	2	42	46	
	Nickel Bronze	Satin Bronze	Cast Iron	Aluminum	
2,3,4"	\$ 1669.00	\$ 1439.00	\$ 660.00	\$ 748.00	20.5
5,6,8"	2251.00	2022.00	1242.00	1330.00	34.5

Dimensions (Inches)						
Pipe Size	A	B	C	D	E	H
2"	11-3/8	4-11/16	6-3/16	1-1/2	1-3/4	6-11/16
3"	11-3/8	4-11/16	6-3/16	2-1/16	1-3/4	6-11/16
4"	11-3/8	4-11/16	6-3/16	2-9/16	1-3/4	6-11/16
5"	13-1/2	8-3/8	8-3/8	3-3/16	3-9/16	7-13/16
6"	13-1/2	8-3/8	8-3/8	3-11/16	3-9/16	7-13/16
8"	13-1/2	8-3/8	8-3/8	5	4	8-13/16

Outlet Variations		
Type	Designation Suffix	Add
Threaded	2IPS,3IPS,4IPS,5IPS,6IPS,8IPS	N/C

Pipe Size	2"	3"	4"	5"	6"	8"
Wt. Lbs.	19.0	17.0	17.0	28.0	28.0	33.0

**Regularly Furnished:** Cast iron scupper / parapet drain with flange, flashing ring and flat grate.

\* Dimensions vary from illustration

Suffix Options			
Suffix	Description		Add
DSA	Downspout Adapter *	2,3,4"	\$ 342.00
		5,6,8"	559.00
VP	Vandal Proof Top Assembly		57.00
39	Galvanized Cast Iron	2,3,4"	241.00
		5,6,8"	477.00
45O	45 Degree Side Outlet *	2,3,4"	N/C
		5,6,8"	N/A
49	Bronze Mesh Over Grate		530.00
50	Stainless Steel Mesh Over Grate		526.00

## Green Roof Drains

A green roof or living roof is a roof of a building that is partially or completely covered with vegetation and a growing medium, planted over a waterproofing membrane. They may also include additional layers such as a root barrier and drainage and irrigations systems. Rooftop ponds are another form of green roofs which are used to treat greywater.

Green roofs serve several purposes for a building, such as absorbing rain water, providing insulation, creating a habitat for wildlife, providing a more aesthetically pleasing landscape, and helping to lower urban air temperatures and mitigate the heat island effect. They effectively utilize the natural functions of plants to filter water and treat air in urban and suburban landscapes. There are two types of green roof:

**Extensive** green roof systems are typically comprised of grasses and vegetation requiring minimum maintenance. These systems usually have a soil depth of approximately 6" and an overall buildup of 12" or less above the structural roof and are lighter than intensive green roofs, and require less maintenance.

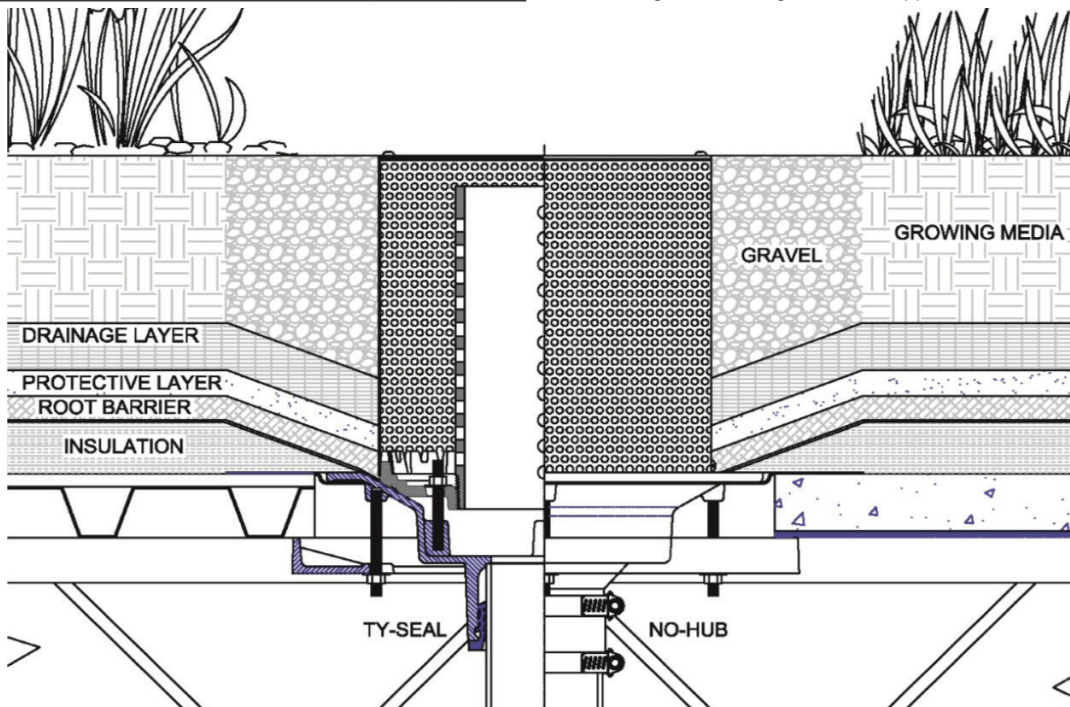
**Intensive** green roofs have a much deeper soil depth and may include shrubs, trees and other decorative plants. Drainage is a critical aspect of green roof design and construction. Excessive accumulation of water in green roof areas can add excessive weight to the roof structure, potentially creating a hazardous condition. Wade provides many solutions for the green roof builder to accommodate the various systems.

Table of Contents		
Application	Model	Page
Planting Area—Primary Drain	3350	258
Planting Area—Overflow Drain	3351	259
Intensive Area—Primary Drain	3352	260
Metered Overflow Drain	3353	261
Extensive Area—Primary Drain	3354	262
Planting Area Drain w/ Auxiliary Inlet	3355	263
Multi-Level Planting Area Drain—Large Capacity	3356	264
Plaza / Promenade Multi-Level Drain—Large Capacity	3357	265
Plaza / Promenade Multi-Level Drain	3358	266
Multi-Level Planting Area Drain—Large Capacity	3359	267

### 3352 Intensive Area Drain

Shown with optional bearing pan and underdeck clamp. Typical installation over structural deck.

- Drain is set into deck, recessed with bearing pan and secured with underdeck clamp.
- Insulation installed—tapered to drain.
- Waterproofing membrane is applied and secured with the flashing ring.
- Root Barrier, protective layer, drainage layer and filter sheet applied.
- Growing Media and gravel base applied.

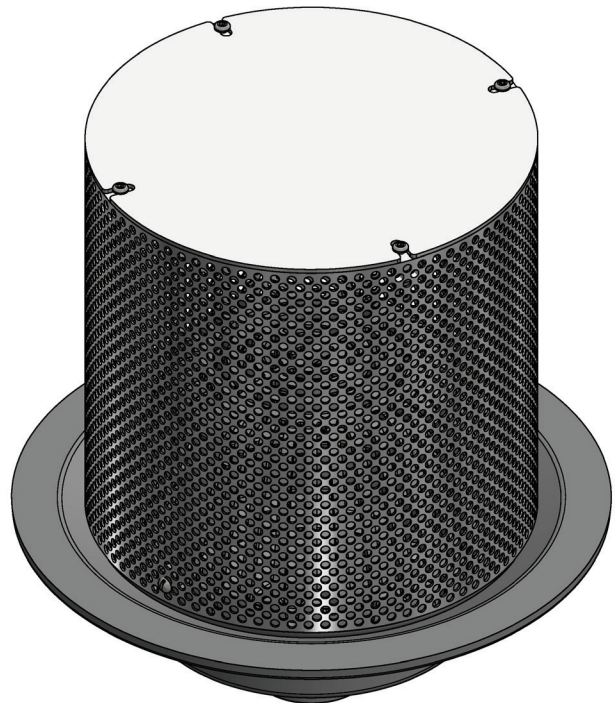
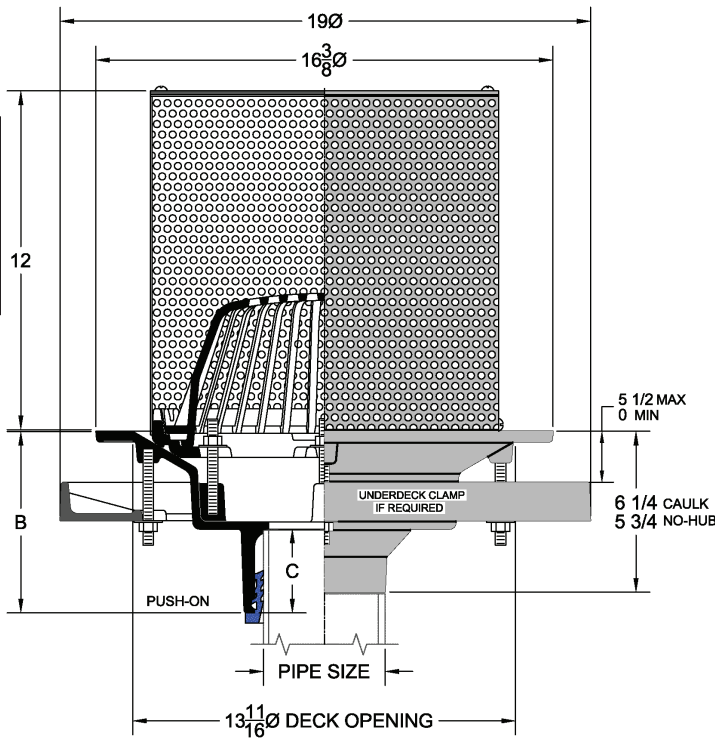


**3350**

16-3/8" Diameter Primary Planting Area Green Roof Drain

Dome Free Area = 113.5

ROOF  
DRAINS



3350-32-3NH

Outlet (Pipe Size)	Painted Cast Iron Body and Flashing Ring with:				
	Dome Option Suffix				
	3	32	40	42	46
	Bronze	Poly	Galv. C.I.	Cast Iron	Aluminum
2,3,4"	\$ 3363.00	\$ 2538.00	\$ 2966.00	\$ 2751.00	\$ 2782.00
5,6"	3667.00	2842.00	3270.00	3056.00	3087.00
8"	3971.00	3146.00	3574.00	3359.00	3390.00

Dimensions (Inches)				
Pipe Size	2"	3"	4"	6"
<b>B</b>	6-3/8	6-5/8	6-7/8	6-3/8
<b>C</b>	2-1/2	2-3/4	3	3

Outlet Variations		
Type	Designation Suffix	Add
No-Hub	2NH,3NH,4NH,5NH,6NH,8NH	N/C
Push On	2TY,3TY,4TY,6TY(CI),6TX(PVC)	N/C
Inside Caulk	2IC,3IC,4IC,5IC,6IC	N/C
Threaded	2IPS,3IPS,4IPS,5IPS,6IPS,8IPS	\$ 78.00

Optional Extensions & Drain Risers			
Suffix	Description	Add	
		Painted	(39) Galv.
ADF	Adjustable Extension *	\$ 724.00	\$ 1071.00
AE	Adjustable Drain Riser *	781.00	1121.00
DF	Fixed Extension * (1",2",3" or 4") *	659.00	994.00
EB	Adjustable Drain Riser Pan *	659.00	N/A

Pipe Size	2"	3"	4"	5"	6"	8"
<b>Wt. Lbs.</b>	39.1	38.4	39.5	38.2	38.1	39.5

**Regularly Furnished:** Cast iron green roof drain with flange, flashing ring, gravel stop, stainless steel perforated extension, solid secured cover & mushroom locking dome.

\* Dimensions vary from illustration

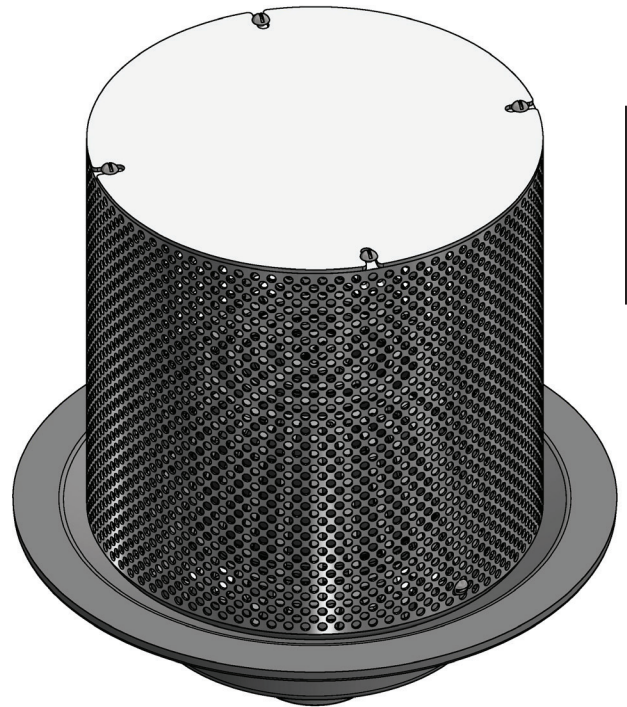
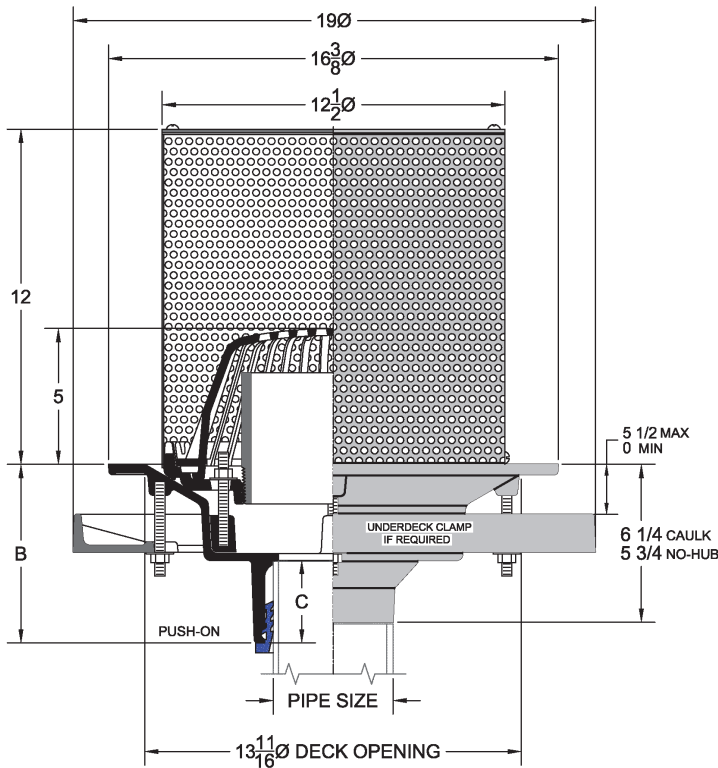
Suffix Options			
Suffix	Description	Add	
ARC	Acid Resistant Coating (ArmorClad)	\$ 1354.00	
E	Elastomeric Wide Flange Body *	1319.00	
SO	90° Side Outlet Body (3NH,4NH,6NH) *	366.00	
VP	Vandal Proof Top	124.00	
39	Galvanized Cast Iron	(32)	956.00
		(42)	1359.00
48	Flush Grate in Lieu of Dome *	685.00	
49	Bronze Mesh Over Dome	373.00	
50	Stainless Steel Mesh Over Dome	501.00	
52	Bearing Pan (Sump Receiver) *	271.00	
53	Under Deck Clamp *	243.00	
189	Bearing Pan w/ Securing Hardware *	436.00	



# ROOF DRAINS



**3351** 16-3/8" Diameter Overflow Planting Area Green Roof Drain



3353-3NH

ROOF DRAINS

Outlet (Pipe Size)	Painted Cast Iron Body and Flashing Ring with:				
	Dome Option Suffix				
	3	32	40	42	46
	Bronze	Poly	Galv. C.I.	Cast Iron	Aluminum
2,3,4"	\$ 3752.00	\$ 2926.00	\$ 3355.00	\$ 3142.00	\$ 3172.00
5,6"	4058.00	3231.00	3660.00	3446.00	3477.00
8"	4362.00	3534.00	3963.00	3750.00	3781.00

Pipe Size	2"	3"	4"	5"	6"	8"
Wt. Lbs.	39.1	38.4	39.5	38.2	38.1	39.5

Dimensions (Inches)				
Pipe Size	2"	3"	4"	6"
B	6-3/8	6-5/8	6-7/8	6-3/8
C	2-1/2	2-3/4	3	3

Outlet Variations		
Type	Designation Suffix	Add
No-Hub	2NH,3NH,4NH,5NH,6NH,8NH	N/C
Push On	2TY,3TY,4TY,6TY(CI),6TX(PVC)	N/C
Inside Caulk	2IC,3IC,4IC,5IC,6IC	N/C
Threaded	2IPS,3IPS,4IPS,5IPS,6IPS,8IPS	\$ 78.00

Optional Extensions & Drain Risers			
Suffix	Description	Add	
		Painted	(39) Galv.
ADF	Adjustable Extension *	\$ 724.00	\$ 1071.00
AE	Adjustable Drain Riser *	781.00	1121.00
DF	Fixed Extension * (1",2",3" or 4") *	659.00	994.00
EB	Adjustable Drain Riser Pan *	659.00	N/A

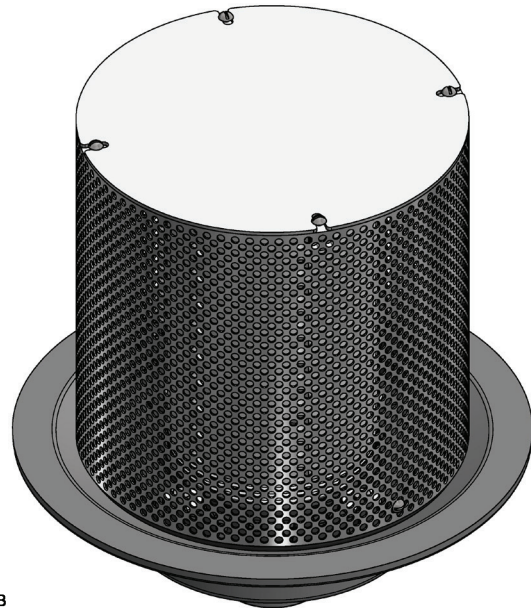
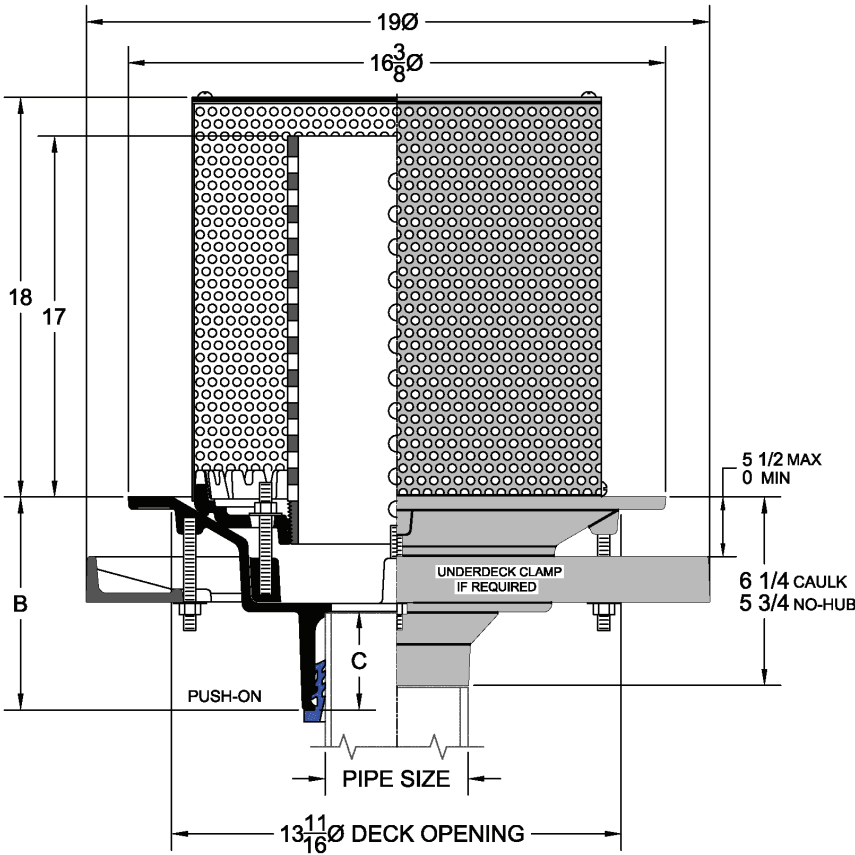
**Regularly Furnished:** Cast iron green roof drain with flange, flashing ring, gravel stop, stainless steel perforated extension, solid secured cover & mushroom locking dome.

\* Dimensions vary from illustration

Suffix Options			
Suffix	Description	Add	
ARC	Acid Resistant Coating (ArmorClad)	\$ 1354.00	
E	Elastomeric Wide Flange Body *	1319.00	
SO	90° Side Outlet Body (3NH,4NH,6NH) *	366.00	
VP	Vandal Proof Top	124.00	
39	Galvanized Cast Iron	(32)	956.00
		(42)	1359.00
48	Flush Grate in Lieu of Dome *	685.00	
49	Bronze Mesh Over Dome	373.00	
50	Stainless Steel Mesh Over Dome	501.00	
52	Bearing Pan (Sump Receiver) *	271.00	
53	Under Deck Clamp *	243.00	
189	Bearing Pan w/ Securing Hardware *	436.00	

**3352**

16-3/8" Diameter Intensive Planting Area Green Roof Drain with Perforated Standpipe



3352-3NH

Outlet (Pipe Size)	Regularly Furnished
2,3,4"	\$ 2561.00
5,6"	2866.00
8"	3169.00

Pipe Size	2"	3"	4"	5"	6"	8"
<b>Wt. Lbs.</b>	38.1	37.4	38.5	37.2	37.1	38.5

Dimensions (Inches)				
Pipe Size	2"	3"	4"	6"
<b>B</b>	6-3/8	6-5/8	6-7/8	6-3/8
<b>C</b>	2-1/2	2-3/4	3	3

Outlet Variations		
Type	Designation Suffix	Add
No-Hub	2NH,3NH,4NH,5NH,6NH,8NH	N/C
Push On	2TY,3TY,4TY,6TY(CI),6TX(PVC)	N/C
Inside Caulk	2IC,3IC,4IC,5IC,6IC	N/C
Threaded	2IPS,3IPS,4IPS,5IPS,6IPS,8IPS	\$ 78.00

Optional Extensions & Drain Risers			
Suffix	Description	Add	
		Painted	(39) Galv.
ADF	Adjustable Extension *	\$ 724.00	\$ 1071.00
AE	Adjustable Drain Riser *	781.00	1121.00
DF	Fixed Extension * (1",2",3" or 4") *	659.00	994.00
EB	Adjustable Drain Riser Pan *	659.00	N/A

**Regularly Furnished:** Cast iron green roof drain with flange, flashing ring, gravel stop, perforated standpipe, stainless steel perforated extension, solid secured cover & bottom outlet.

\* Dimensions vary from illustration

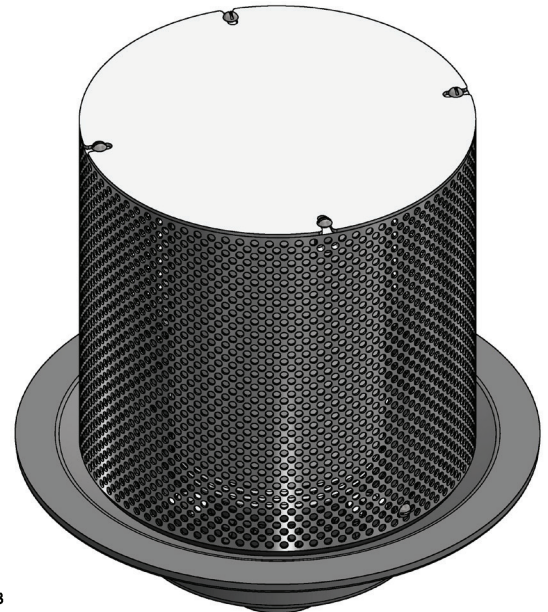
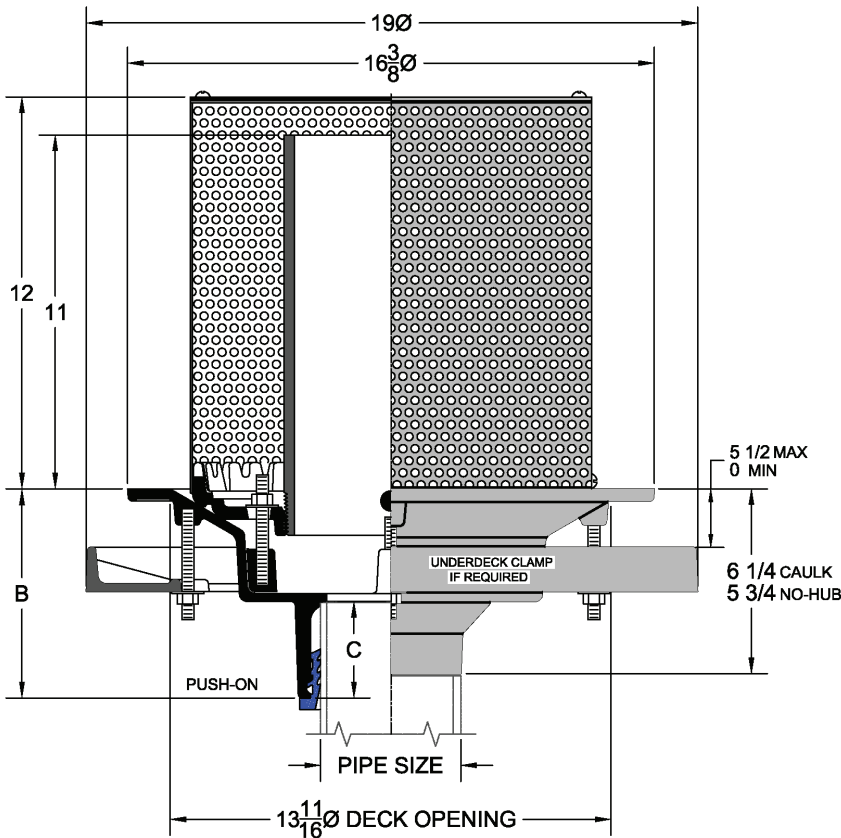
Suffix Options			
Suffix	Description	Add	
ARC	Acid Resistant Coating (ArmorClad)	\$ 1354.00	
E	Elastomeric Wide Flange Body *	1319.00	
SO	90° Side Outlet Body (3NH,4NH,6NH) *	366.00	
VP	Vandal Proof Top	124.00	
39	Galvanized Cast Iron	(32)	956.00
		(42)	1359.00
48	Flush Grate in Lieu of Dome *	685.00	
49	Bronze Mesh Over Dome	373.00	
50	Stainless Steel Mesh Over Dome	501.00	
52	Bearing Pan (Sump Receiver) *	271.00	
53	Under Deck Clamp *	243.00	
189	Bearing Pan w/ Securing Hardware *	436.00	

# ROOF DRAINS



**3353**

16-3/8" Diameter Intensive Planting Area Green Roof Drain with Control Flow Orifice



3353-3NH

ROOF DRAINS

Outlet (Pipe Size)	Regularly Furnished
2,3,4"	\$ 2385.00
5,6"	2690.00
8"	2993.00

Pipe Size	2"	3"	4"	5"	6"	8"
Wt. Lbs.	38.1	37.4	38.5	37.2	37.1	38.5

**Regularly Furnished:** Cast iron green roof drain with flange, flashing ring, gravel stop, plastic standpipe with control flow orifice, stainless steel perforated extension, solid secured cover & bottom outlet.

\* Dimensions vary from illustration

Dimensions (Inches)				
Pipe Size	2"	3"	4"	6"
<b>B</b>	6-3/8	6-5/8	6-7/8	6-3/8
<b>C</b>	2-1/2	2-3/4	3	3

Outlet Variations		
Type	Designation Suffix	Add
No-Hub	2NH,3NH,4NH,5NH,6NH,8NH	N/C
Push On	2TY,3TY,4TY,6TY(CI),6TX(PVC)	N/C
Inside Caulk	2IC,3IC,4IC,5IC,6IC	N/C
Threaded	2IPS,3IPS,4IPS,5IPS,6IPS,8IPS	\$ 78.00

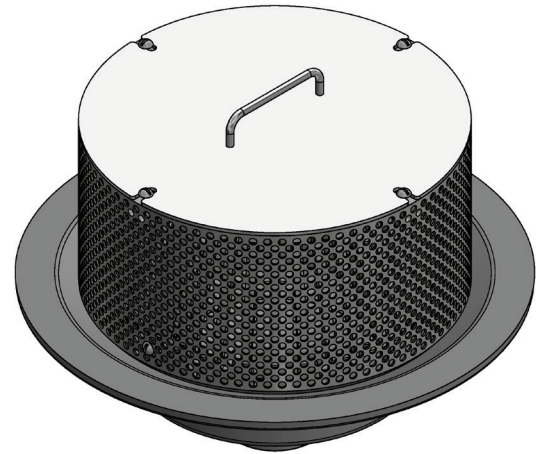
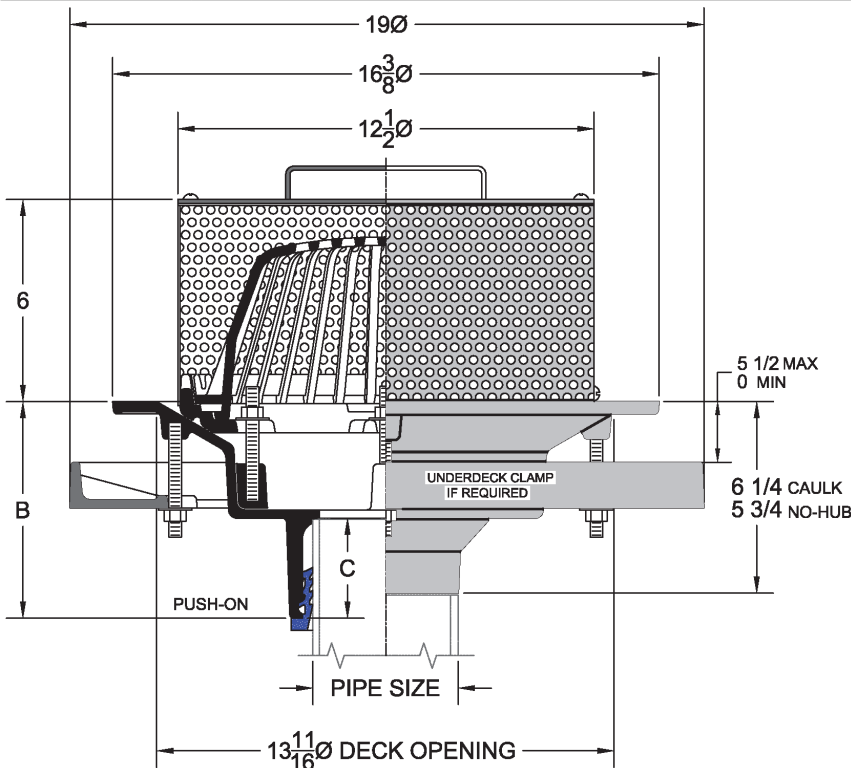
Optional Extensions & Drain Risers			
Suffix	Description	Add	
		Painted	(39) Galv.
ADF	Adjustable Extension *	\$ 724.00	\$ 1071.00
AE	Adjustable Drain Riser *	781.00	1121.00
DF	Fixed Extension * (1",2",3" or 4") *	659.00	994.00
EB	Adjustable Drain Riser Pan *	659.00	N/A

Suffix Options			
Suffix	Description	Add	
ARC	Acid Resistant Coating (ArmorClad)	\$ 1354.00	
E	Elastomeric Wide Flange Body *	1319.00	
SO	90° Side Outlet Body (3NH,4NH,6NH) *	366.00	
VP	Vandal Proof Top	124.00	
39	Galvanized Cast Iron	(32)	956.00
		(42)	1359.00
48	Flush Grate in Lieu of Dome *	685.00	
49	Bronze Mesh Over Dome	373.00	
50	Stainless Steel Mesh Over Dome	501.00	
52	Bearing Pan (Sump Receiver) *	271.00	
53	Under Deck Clamp *	243.00	
189	Bearing Pan w/ Securing Hardware *	436.00	

**3354**

16-3/8" Diameter Extensive Planting Area Green Roof Drain

Dome Free Area = 113.5



3350-32-3NH

ROOF DRAINS

Outlet (Pipe Size)	Painted Cast Iron Body and Flashing Ring with:				
	Dome Option Suffix				
	3	32	40	42	46
	Bronze	Poly	Galv. C.I.	Cast Iron	Aluminum
2,3,4"	\$ 3422.00	\$ 2597.00	\$ 3113.00	\$ 2811.00	\$ 2841.00
5,6"	3727.00	2902.00	3418.00	3115.00	3146.00
8"	4030.00	3205.00	3721.00	3419.00	3450.00

Dimensions (Inches)				
Pipe Size	2"	3"	4"	6"
<b>B</b>	6-3/8	6-5/8	6-7/8	6-3/8
<b>C</b>	2-1/2	2-3/4	3	3

Outlet Variations		
Type	Designation Suffix	Add
No-Hub	2NH,3NH,4NH,5NH,6NH,8NH	N/C
Push On	2TY,3TY,4TY,6TY(CI),6TX(PVC)	N/C
Inside Caulk	2IC,3IC,4IC,5IC,6IC	N/C
Threaded	2IPS,3IPS,4IPS,5IPS,6IPS,8IPS	\$ 78.00

Optional Extensions & Drain Risers			
Suffix	Description	Add	
		Painted	(39) Galv.
ADF	Adjustable Extension *	\$ 724.00	\$ 1071.00
AE	Adjustable Drain Riser *	781.00	1121.00
DF	Fixed Extension * (1",2",3" or 4") *	659.00	994.00
EB	Adjustable Drain Riser Pan *	659.00	N/A

Pipe Size	2"	3"	4"	5"	6"	8"
<b>Wt. Lbs.</b>	39.1	38.4	39.5	38.2	38.1	39.5

**Regularly Furnished:** Cast iron green roof drain with flange, flashing ring, gravel stop, stainless steel perforated extension, solid secured cover & mushroom locking dome.

\* Dimensions vary from illustration

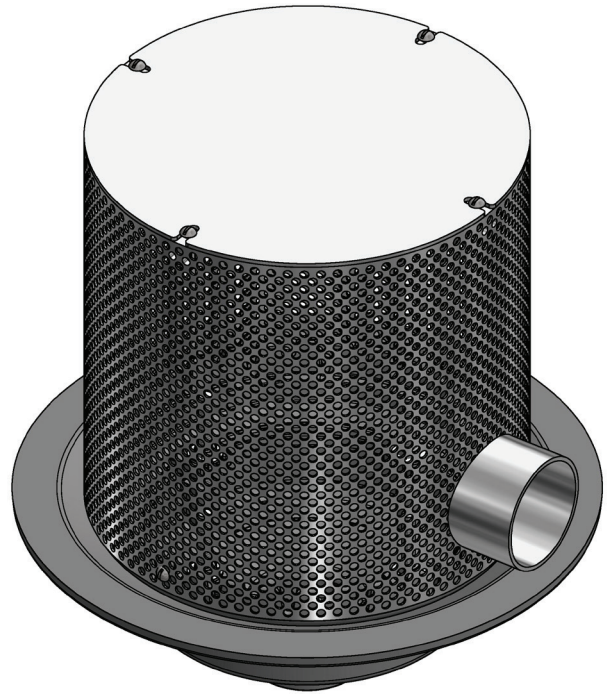
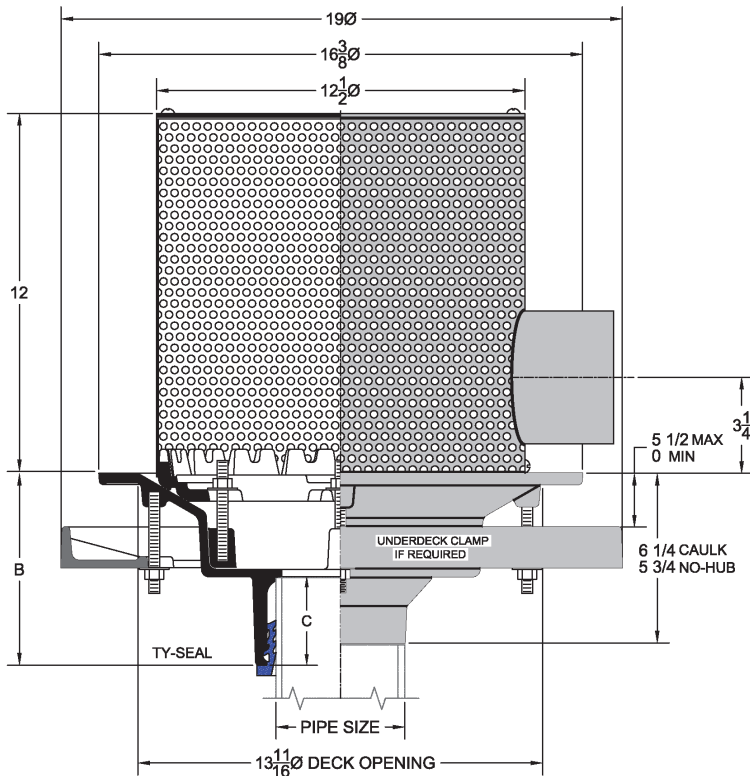
Suffix Options			
Suffix	Description	Add	
ARC	Acid Resistant Coating (ArmorClad)	\$ 1354.00	
E	Elastomeric Wide Flange Body *	1319.00	
SO	90° Side Outlet Body (3NH,4NH,6NH) *	366.00	
VP	Vandal Proof Top	124.00	
39	Galvanized Cast Iron	(32)	956.00
		(42)	1359.00
48	Flush Grate in Lieu of Dome *	685.00	
49	Bronze Mesh Over Dome	373.00	
50	Stainless Steel Mesh Over Dome	501.00	
52	Bearing Pan (Sump Receiver) *	271.00	
53	Under Deck Clamp *	243.00	
189	Bearing Pan w/ Securing Hardware *	436.00	

# ROOF DRAINS



**3355**

16-3/8" Diameter Planting Area Green Roof Drain with Auxiliary Inlet



3355-3NH-2AI

ROOF DRAINS

▲ Auxiliary Inlet Size cannot exceed outlet size.

Outlet (Pipe Size)	Auxiliary Inlet Size ▲	Regularly Furnished
2,3,4"	2,3,4"	\$ 3911.00
5,6"	2,3,4,5,6"	4215.00
8"	2,3,4,5,6"	4519.00

Pipe Size	2"	3"	4"	5"	6"	8"
Wt. Lbs.	39.1	38.4	39.5	38.2	38.1	39.5

Dimensions (Inches)				
Pipe Size	2"	3"	4"	6"
<b>B</b>	6-3/8	6-5/8	6-7/8	6-3/8
<b>C</b>	2-1/2	2-3/4	3	3

**Regularly Furnished:** Cast iron green roof drain with flange, flashing ring, gravel stop, stainless steel perforated extension, solid secured cover & auxiliary side inlet.

\* Dimensions vary from illustration

Outlet Variations		
Type	Designation Suffix	Add
No-Hub	2NH,3NH,4NH,5NH,6NH,8NH	N/C
Push On	2TY,3TY,4TY,6TY(CI),6TX(PVC)	N/C
Inside Caulk	2IC,3IC,4IC,5IC,6IC	N/C
Threaded	2IPS,3IPS,4IPS,5IPS,6IPS,8IPS	\$ 78.00

**Suffix Options**

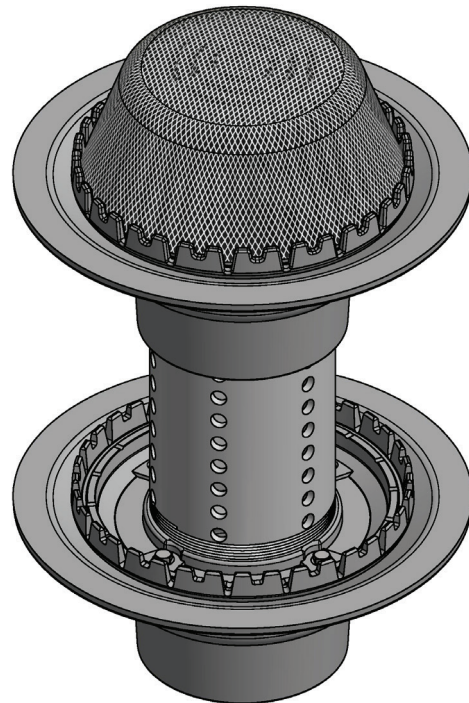
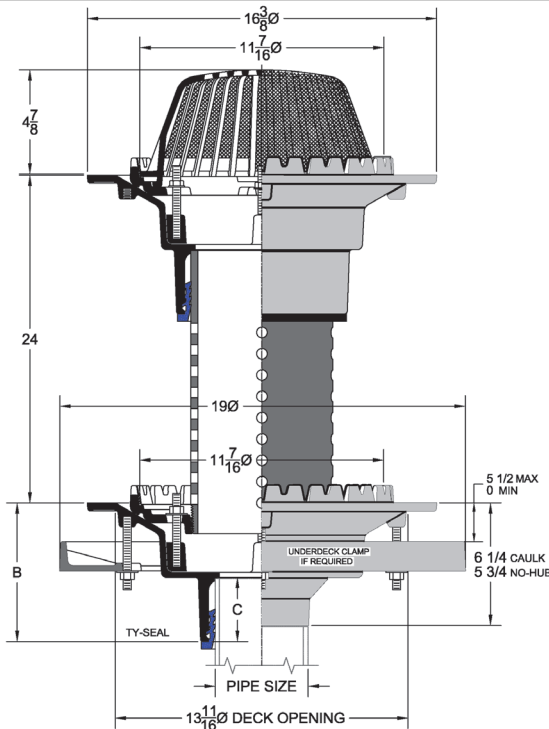
Suffix	Description	Add
ARC	Acid Resistant Coating (ArmorClad)	\$ 1354.00
E	Elastomeric Wide Flange Body *	1319.00
SO	90° Side Outlet Body (3NH,4NH,6NH) *	366.00
VP	Vandal Proof Top	124.00
39	Galvanized Cast Iron	956.00
52	Bearing Pan (Sump Receiver) *	271.00
53	Under Deck Clamp *	243.00
189	Bearing Pan w/ Securing Hardware *	436.00

Optional Extensions & Drain Risers			
Suffix	Description	Add	
		Painted	(39) Galv.
ADF	Adjustable Extension *	\$ 724.00	\$ 1071.00
AE	Adjustable Drain Riser *	781.00	1121.00
DF	Fixed Extension * (1",2",3" or 4") *	659.00	994.00
EB	Adjustable Drain Riser Pan *	659.00	N/A

**3356**

16-3/8" Diameter Multi-Level Planting Area Green Roof Drain

Dome Free Area = 113.5



3356-32-6NH

ROOF DRAINS

Outlet (Pipe Size)	Painted Cast Iron Body and Flashing Ring with:				
	Dome Option Suffix				
	3	32	40	42	46
	Bronze	Poly	Galv. C.I.	Cast Iron	Aluminum
2,3,4"	\$ 3623.00	\$ 2798.00	\$ 3229.00	\$ 2738.00	\$ 3044.00
5,6"	3928.00	3103.00	3533.00	3317.00	3348.00
8"	4232.00	3407.00	3837.00	3620.00	3652.00

Pipe Size	2"	3"	4"	5"	6"	8"
Wt. Lbs.	72.2	70.8	73.0	70.4	70.2	73.0

**Regularly Furnished:** Cast iron green roof drain with flange, flashing ring, gravel stop, plastic perforated standpipe, stainless steel meshed lined mushroom locking dome.

\* Dimensions vary from illustration

Dimensions (Inches)				
Pipe Size	2"	3"	4"	6"
<b>B</b>	6-3/8	6-5/8	6-7/8	6-3/8
<b>C</b>	2-1/2	2-3/4	3	3

Outlet Variations		
Type	Designation Suffix	Add
No-Hub	2NH,3NH,4NH,5NH,6NH,8NH	N/C
Push On	2TY,3TY,4TY,6TY(CI),6TX(PVC)	N/C
Inside Caulk	2IC,3IC,4IC,5IC,6IC	N/C
Threaded	2IPS,3IPS,4IPS,5IPS,6IPS,8IPS	\$ 78.00

Optional Extensions & Drain Risers			
Suffix	Description	Add	
		Painted	(39) Galv.
ADF	Adjustable Extension *	\$ 724.00	\$ 1071.00
AE	Adjustable Drain Riser *	781.00	1121.00
DF	Fixed Extension * (1",2",3" or 4") *	659.00	994.00
EB	Adjustable Drain Riser Pan *	659.00	N/A

Suffix Options			
Suffix	Description	Add	
ARC	Acid Resistant Coating (ArmorClad)	\$ 1354.00	
E	Elastomeric Wide Flange Body *	1319.00	
SO	90° Side Outlet Body (3NH,4NH,6NH) *	366.00	
VP	Vandal Proof Top	124.00	
39	Galvanized Cast Iron	(32)	1913.00
		(42)	2717.00
48	Flush Grate in Lieu of Dome *	685.00	
52	Bearing Pan (Sump Receiver) *	271.00	
53	Under Deck Clamp *	243.00	
189	Bearing Pan w/ Securing Hardware *	436.00	

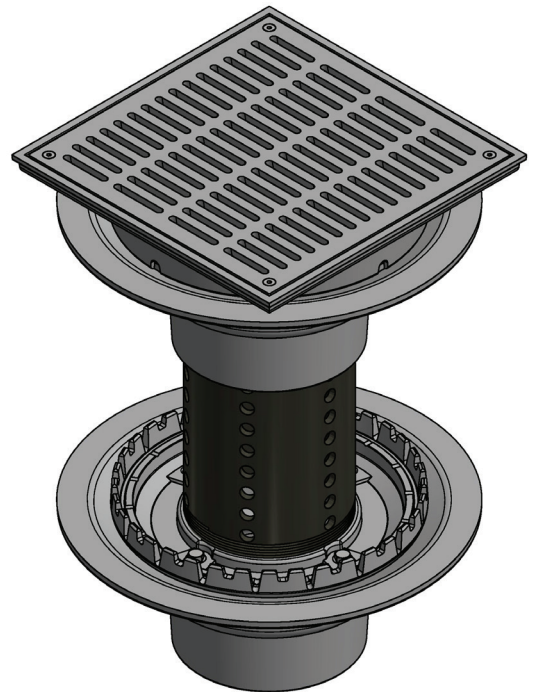
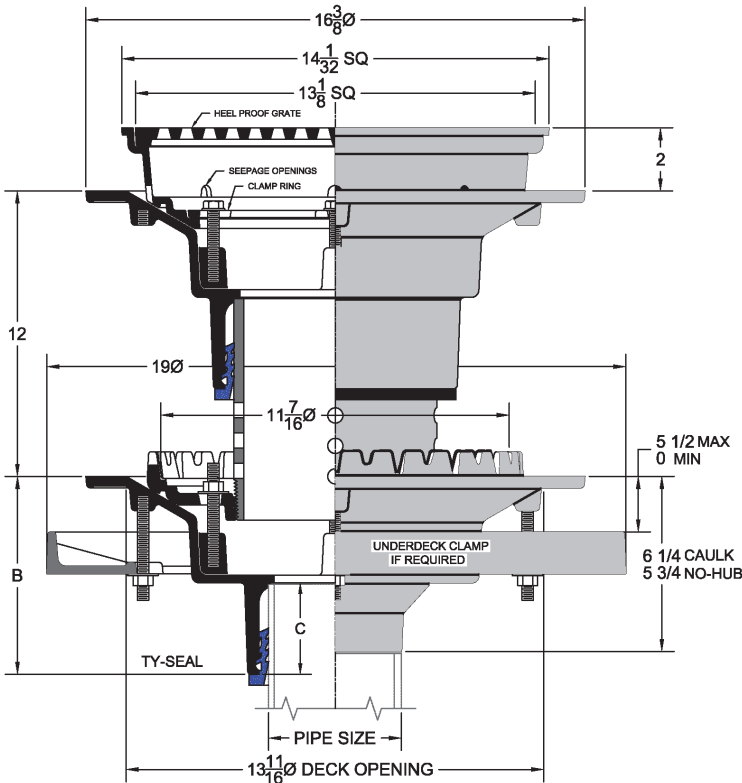
# ROOF DRAINS



**3357**

14" Square Green Roof Promenade Deck Drain

Grate Free Area = 46.5



3357-12-6NH

ROOF DRAINS

Outlet (Pipe Size)	Painted Cast Iron Body and Flashing Ring with:		
	Top Option Suffix		
	1	2	12
	Nickel Bronze	Satin Bronze	Cast Iron
2,3,4"	\$ 5008.00	\$ 4827.00	\$ 4000.00
5,6"	5313.00	5133.00	4304.00
8"	5617.00	5436.00	4608.00

Pipe Size	2"	3"	4"	5"	6"	8"
Wt. Lbs.	36.1	35.4	36.5	35.2	35.1	36.5

**Regularly Furnished:** Cast iron roof drain with flange, flashing ring, gravel stop, plastic perforated standpipe, square promenade top.  
ASME Load Rating - Special Duty  
\* Dimensions vary from illustration

Dimensions (Inches)				
Pipe Size	2"	3"	4"	6"
<b>B</b>	6-3/8	6-5/8	6-7/8	6-3/8
<b>C</b>	2-1/2	2-3/4	3	3

Suffix Options		
Suffix	Description	Add
ARC	Acid Resistant Coating (ArmorClad)	\$ 1354.00
E	Elastomeric Wide Flange Body *	1319.00
SO	90° Side Outlet Body (3NH,4NH,6NH) *	366.00
VP	Vandal Proof Top	124.00
WS	Wide Slot Grate (Free Area = 66.5 Sq.In.)	N/C
39	Galvanized Cast Iron	2717.00
52	Bearing Pan (Sump Receiver) *	271.00
53	Under Deck Clamp *	243.00
189	Bearing Pan w/ Securing Hardware *	436.00

Outlet Variations		
Type	Designation Suffix	Add
No-Hub	2NH,3NH,4NH,5NH,6NH,8NH	N/C
Push On	2TY,3TY,4TY,6TY(CI),6TX(PVC)	N/C
Inside Caulk	2IC,3IC,4IC,5IC,6IC	N/C
Threaded	2IPS,3IPS,4IPS,5IPS,6IPS,8IPS	\$ 78.00

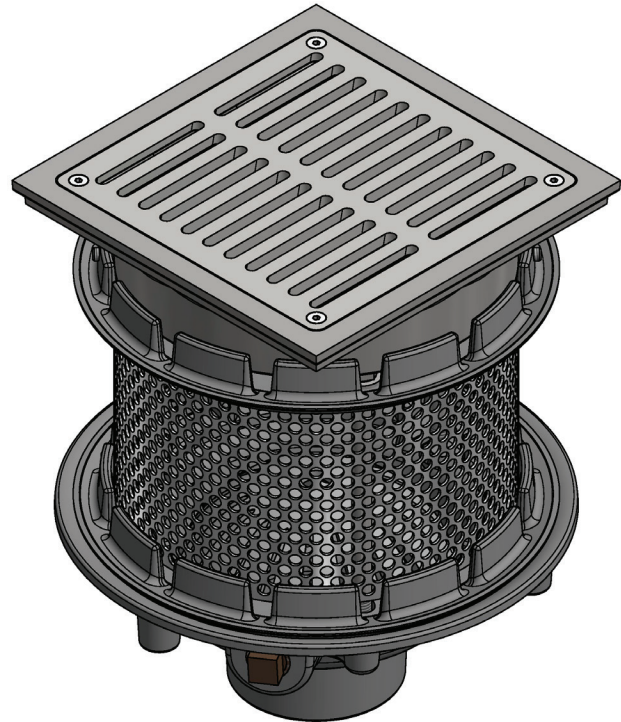
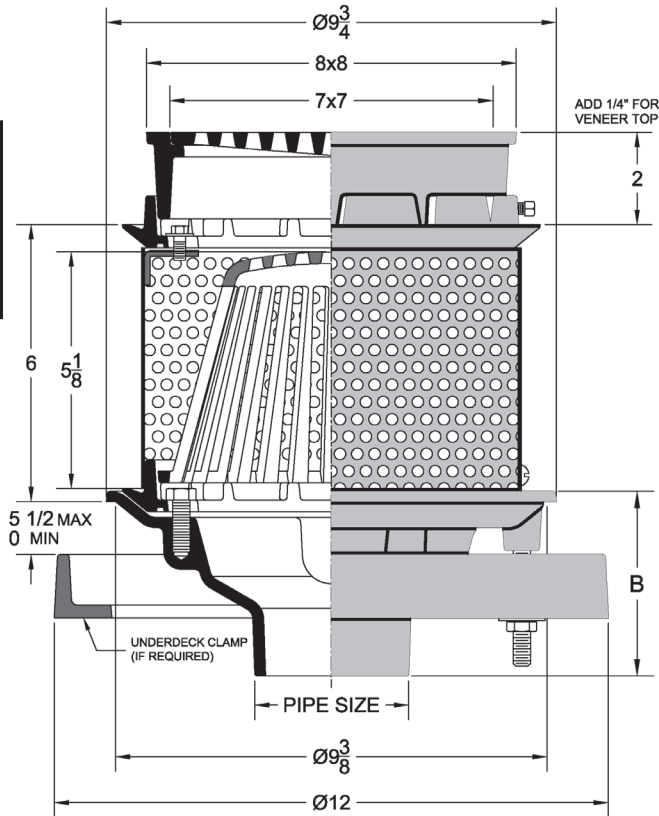
Optional Extensions & Drain Risers			
Suffix	Description	Add	
		Painted	(39) Galv.
ADF	Adjustable Extension *	\$ 724.00	\$ 1071.00
AE	Adjustable Drain Riser *	781.00	1121.00
DF	Fixed Extension * (1",2",3" or 4") *	659.00	994.00
EB	Adjustable Drain Riser Pan *	659.00	N/A

**3358**

9" Square Green Roof Promenade Deck Drain

Grate Free Area = 14.8

ROOF  
DRAINS



3358-12-3NH

Outlet (Pipe Size)	Painted Cast Iron Body and Flashing Ring with:		
	Dome Option Suffix		
	1	2	12
	Nickel Bronze	Satin Bronze	Cast Iron
2,3,4"	\$ 2604.00	\$ 2549.00	\$ 2168.00
6"	2633.00	2582.00	2219.00
ASME Load Rating	Light Duty	Light Duty	Heavy Duty

Pipe Size	2"	3"	4"	6"
Wt. Lbs.	17.0	17.0	17.0	22.2

**Regularly Furnished:** Cast iron green roof drain with flange, flashing ring, gravel stop, stainless steel perforated extension, square promenade top and bottom outlet.

\* Dimensions vary from illustration

Dimensions (Inches) Push-On Outlet				
Outlet Type	No-Hub	Push-On	Inside Caulk	Threaded
<b>B</b>	4	4-1/4	4-3/4	3-1/4
<b>C</b>	•	2	•	•

Outlet Variations		
Type	Designation Suffix	Add
No-Hub	2NH,3NH,4NH,6NH	N/C
Push On	2TY,3TY,4TY (Includes Gasket)	N/C
Inside Caulk	2IC,3IC,4IC	N/C
Threaded	2IPS,3IPS,4IPS	\$ 78.00

Optional Extensions & Drain Risers			
Suffix	Description	Add	
		Painted	(39) Galv.
DF	Fixed Extension * (1",2",3" or 4") *	\$ 169.00	\$ 326.00
EB	Adjustable Drain Riser Pan *	503.00	N/A

Suffix Options		
Suffix	Description	Add
ARC	Acid Resistant Coating (ArmorClad)	\$ 762.00
E	Elastomeric Flange *	1241.00
SO	90° Side Outlet Body (2IPS,3IPS,4IPS) *	184.00
VP	Vandal Proof Top	146.00
39	Galvanized Cast Iron	360.00
40	Gavanized Iron Top	270.00
46	Aluminum Dome	78.00
52	Bearing Pan (Sump Receiver) *	271.00
53	Under Deck Clamp *	150.00
189	Bearing Pan w/ Securing Hardware *	338.00



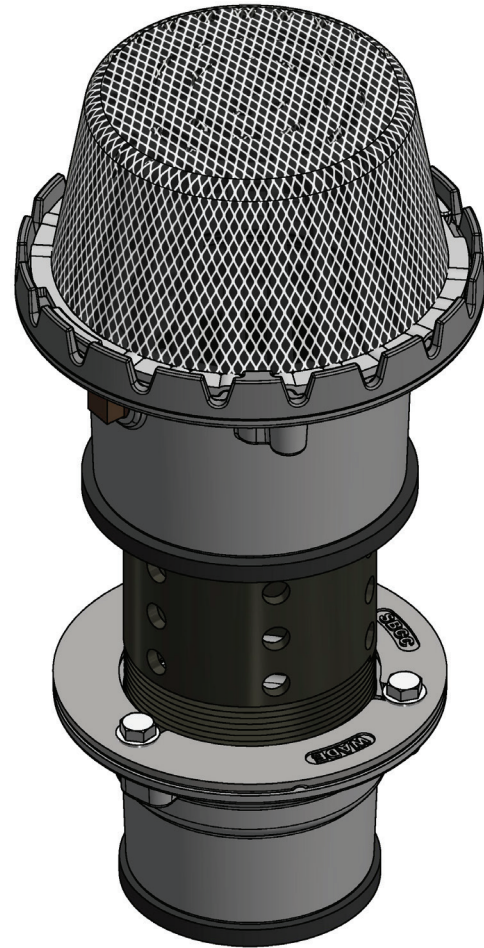
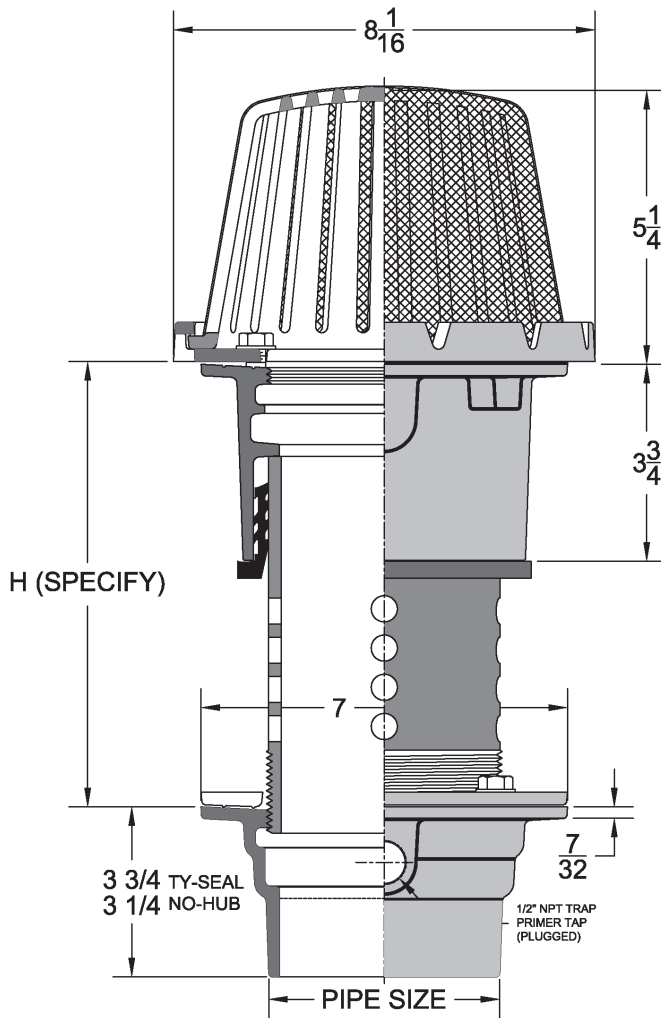
# ROOF DRAINS



**3359**

8" Diameter Multi-Level Planting Area Green Roof Drain

Dome Free Area = 43.0



3359-32-3TY

ROOF  
DRAINS

Outlet (Pipe Size)	Painted Cast Iron Body and Flashing Ring with:				
	Dome Option Suffix				
	3	32	40	42	46
	Bronze	Poly	Galv. C.I.	Cast Iron	Aluminum
2,3,4"	\$ 2454.00	\$ 2140.00	\$ 2246.00	\$ 2232.00	\$ 2303.00
6"	2639.00	2324.00	2431.00	2417.00	2488.00

Outlet Variations		
Type	Designation Suffix	Add
No-Hub	2NH,3NH,4NH,6NH	N/C
Push On	2TY,3TY,4TY	N/C

Optional Extensions & Drain Risers			
Suffix	Description	Add	
		Painted	(39) Galv.
DF	Fixed Extension * (1",2",3" or 4") *	\$ 169.00	\$ 326.00
EB	Adjustable Drain Riser Pan *	503.00	N/A

Pipe Size	2"	3"	4"	5"	6"	8"
Wt. Lbs.	72.2	70.8	73.0	70.4	70.2	73.0

**Regularly Furnished:** Cast iron roof drain with flange, flashing ring, gravel stop, plastic perforated standpipe, stainless steel mesh lined dome and bottom outlet.

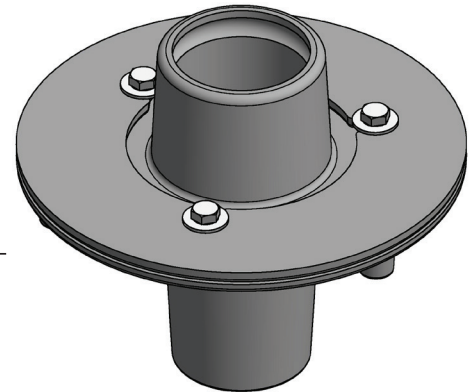
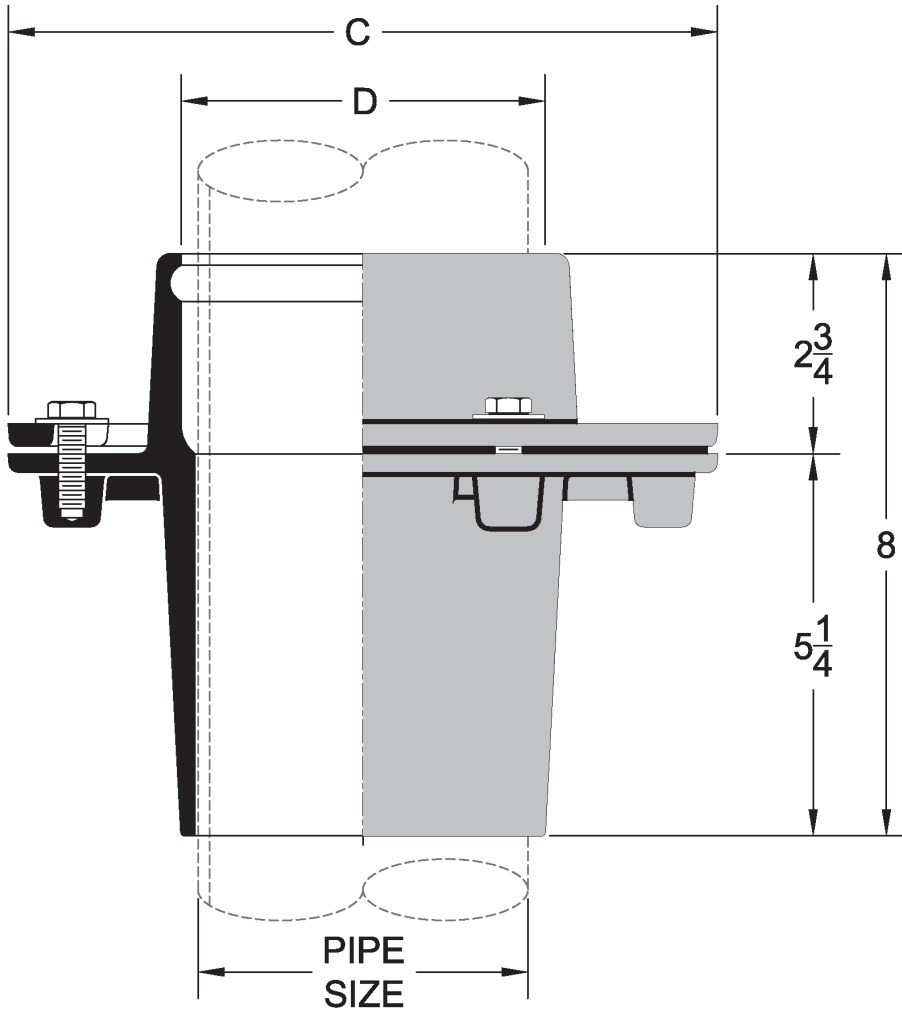
\* Dimensions vary from illustration

Suffix Options		
Suffix	Description	Add
ARC	Acid Resistant Coating (ArmorClad)	\$ 931.00
SO	90° Side Outlet Body (2IPS,3IPS,4IPS) *	184.00
VP	Vandal Proof Top	109.00
27	Sediment Bucket	133.00
52	Bearing Pan (Sump Receiver) *	271.00
53	Under Deck Clamp *	150.00
189	Bearing Pan w/ Securing Hardware *	338.00

**3600**

Vent Stack Riser Flashing Sleeve

ROOF  
DRAINS



3600-2IC-3SJ

Pipe Size	Regularly Furnished	Wt. Lbs.
2"	\$ 326.00	21.0
3"	530.00	22.0
4"	530.00	29.0
5"	969.00	34.0
6"	969.00	27.7
8"	1128.00	28.7

Pipe Size	Dimensions (Inches)					
	2"	3"	4"	5"	6"	8"
<b>C</b>	9-3/4	9-3/4	9-3/4	9-3/4"	13	13
<b>D</b>	3	4	5	6	7	9-5/16

**Regularly Furnished:** Cast iron vent stack sleeve with flange, flashing clamp, & top caulking hub.

### Suffix Options

Suffix	Description	Add
39	Galvanized Cast Iron	\$ 252.00
52	Bearing Pan (Sump Receiver) *	271.00
53	Under Deck Clamp *	150.00
189	Bearing Pan w/ Securing Hardware *	338.00

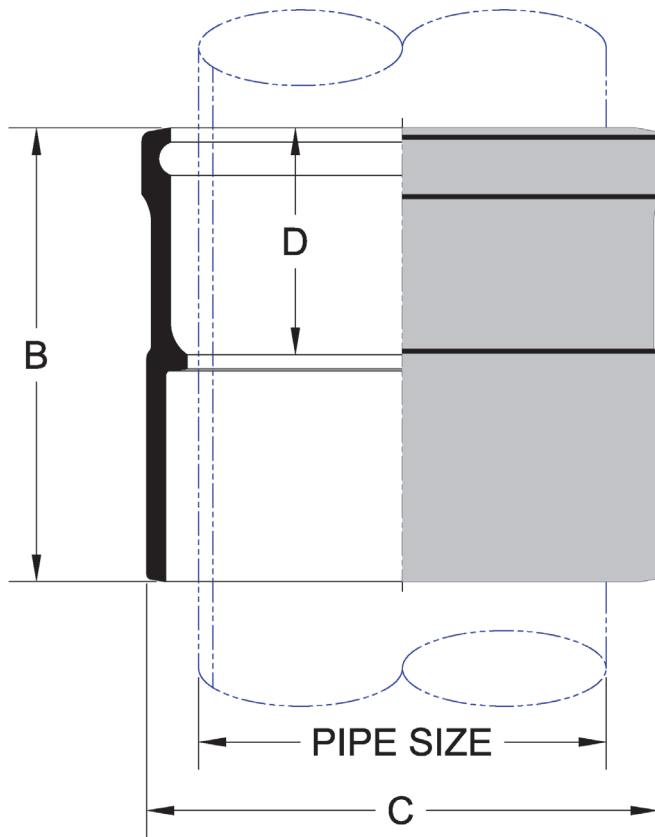
### Outlet Variations

Type	Designation Suffix	Add
Slip Joint	2IC,3IC,4IC,5IC,6IC	N/C

# ROOF DRAINS



<b>3671</b>	Vent Stack Flashing Sleeve
-------------	----------------------------



3671-5IC

ROOF DRAINS

Pipe Size	Regularly Furnished	Wt. Lbs.
2"	\$ 61.00	21.0
3"	109.00	22.0
4"	124.00	29.0
6"	318.00	27.7

Dimensions (Inches)				
Pipe Size	2"	3"	4"	6"
<b>B</b>	5	5-1/4	5-1/2	6
<b>C</b>	3-1/2	4-1/2	5-1/2	7-3/4
<b>D</b>	2-1/2	2-3/4	3	3

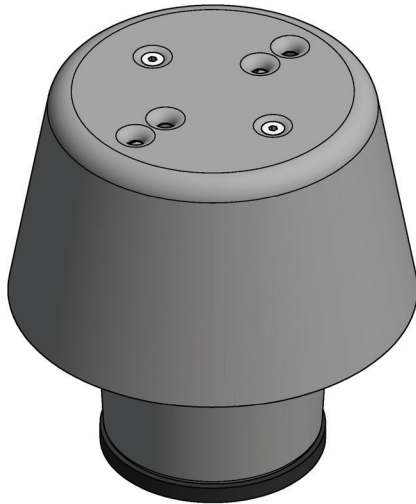
**Regularly Furnished:** Cast iron vent stack sleeve with top caulking hub.

Outlet Variations		
Type	Designation Suffix	Add
Slip Joint	2IC,3IC,4IC,5IC,6IC	N/C

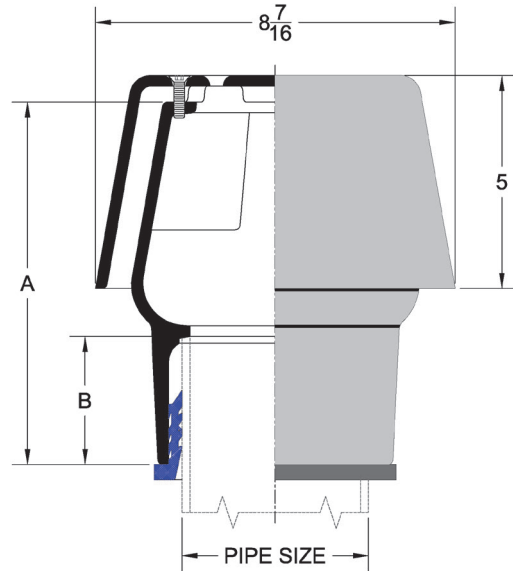
Suffix Options		
Suffix	Description	Add
39	Galvanized Cast Iron	\$ 78.00

### 3690 Vandal Resistant Vent Cap

ROOF DRAINS



3690-3TY



Outlet Size	Regularly Furnished	Wt. Lbs.	Dimensions (Inches)			
			Pipe Size	2"	3"	4"
2"	\$ 416.00	18.0	<b>A</b>	7-5/8	8-3/8	9-1/8
3"	472.00	12.0	<b>B</b>	2-1/2	2-3/4	3
4"	531.00	14.0				

**Regularly Furnished:** Cast iron vandal resistant vent cap with secured hooded dome and vandal proof screws.

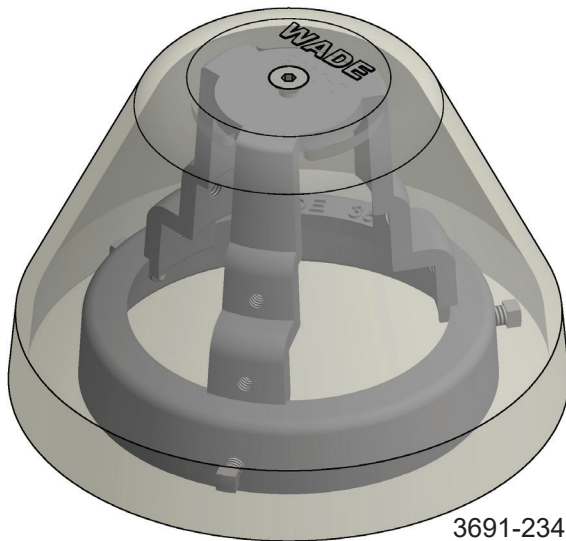
#### Suffix Options

Suffix	Description	Add
39	Galvanized Cast Iron	\$ 168.00

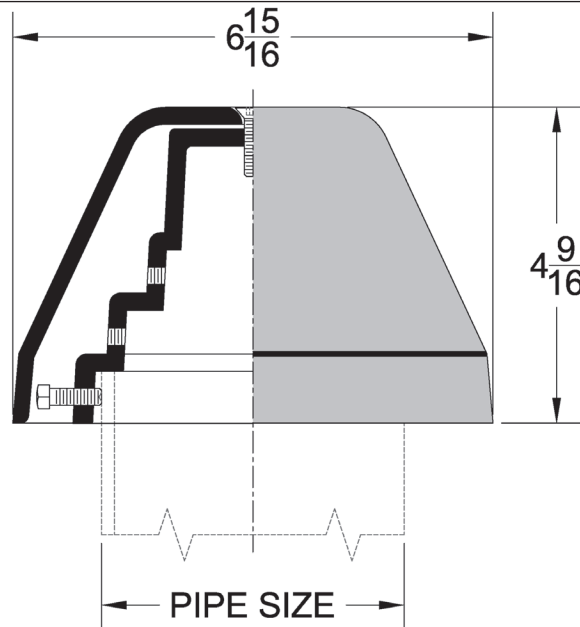
#### Outlet Variations

Type	Designation Suffix	Add
Push-On	2TY,3TY,4TY	N/C

### 3691 Vandal Resistant Vent Cap



3691-234SJ



Outlet Size	Regularly Furnished	Wt. Lbs.
1½, 2, 3, 4"	\$ 472.00	18.0

**Regularly Furnished:** Cast iron vandal resistant vent cap with secured hooded dome and vandal proof screws.

#### Suffix Options

Suffix	Description	Add
39	Galvanized Cast Iron	\$ 168.00

#### Outlet Variations

Type	Designation Suffix	Add
Slip Joint	234SJ	N/C

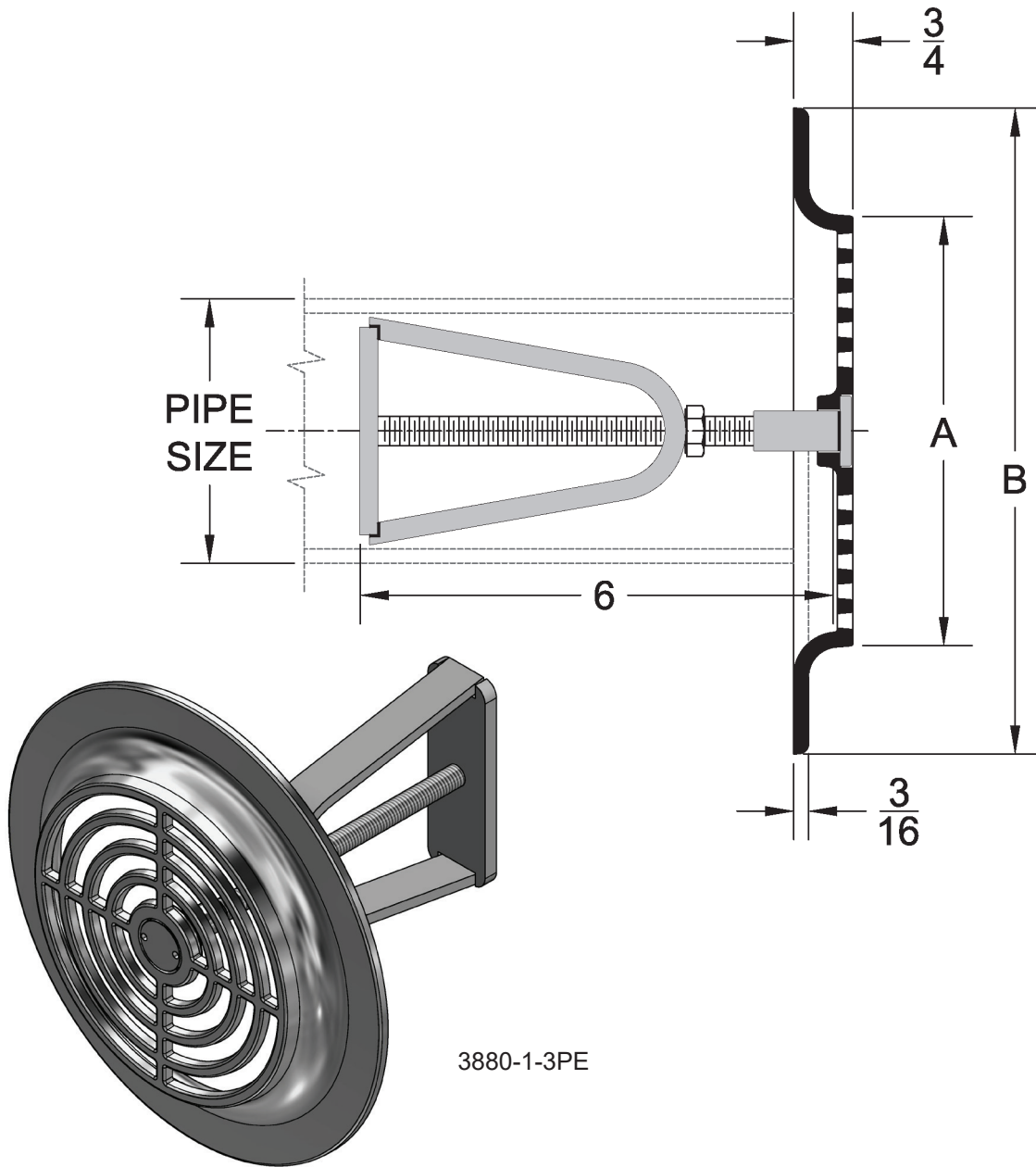
# ROOF DRAINS



**3880**

Fresh Air Inlet

ROOF DRAINS



3880-1-3PE

Pipe Size	Painted Steel Pipe Expander With		Dimensions (Inches)		Wt. Lbs.
	Grate Suffix Option:		A	B	
	1	2			
	Satin Nickel Bronze	Satin Bronze			
2"	\$ 575.00	\$ 488.00	5-1/2	8-1/4	3.0
3"	575.00	488.00	5-1/2	8-1/4	5.0
4"	575.00	488.00	5-1/2	8-1/4	5.0
5"	977.00	767.00	5-1/2	8-1/4	8.0
6"	977.00	767.00	9-1/2	12-1/4	14.0
8"	1558.00	1187.00	9-1/2	12-1/4	20.0
10"	1558.00	1187.00	12-5/8	15-1/4	20.0
12"	1901.00	1536.00	12-5/8	15-1/4	22.0

Outlet Variations		
Type	Designation Suffix	Add
Pipe Expander	2PE,3PE,4PE,5PE,6PE,8PE,10PE,12PE	N/C

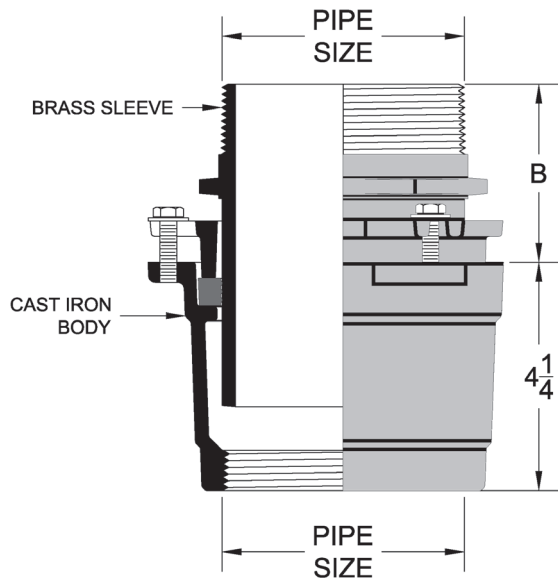
**Regularly Furnished:** Fresh air inlet grate with upset flange and adjustable pipe expander.

Suffix Options		
Suffix	Description	Add / Deduct
39	Galvanized Pipe Expander	\$ 76.00
59	Less Pipe Expander w/ Mounting Holes in Flange	(92.00)
102	Chrome Plated	326.00

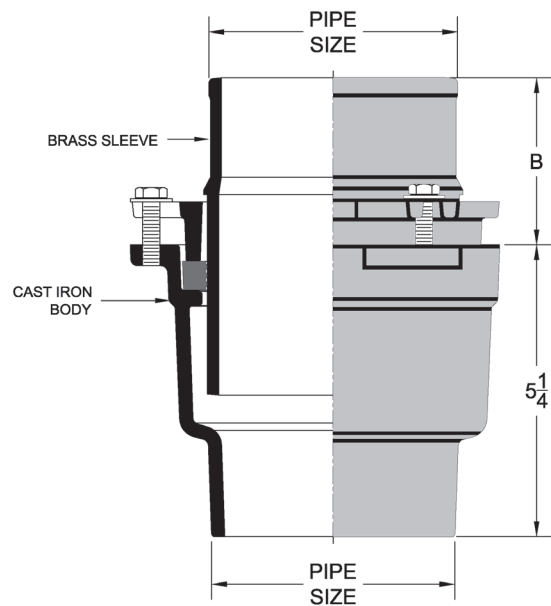
**3900**

Expansion Joint

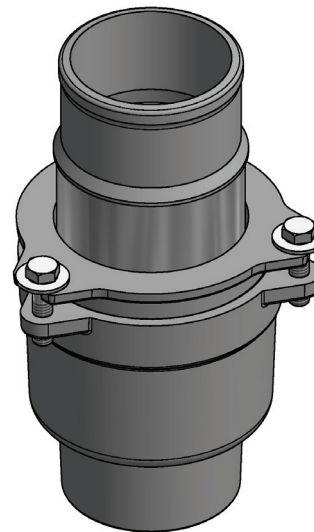
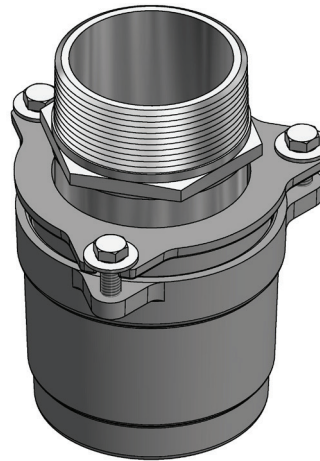
ROOF  
DRAINS



3900-3IPS



3900-3NH



Pipe Size	B		Wt. Lbs.	Regularly Furnished
	Min.	Max.		
2"	2-7/8	5	12.0	\$ 659.00
3"	2-7/8	5	12.0	703.00
4"	2-7/8	5	15.0	798.00
5"	3-1/4	5-1/4	19.0	1161.00
6"	3-1/4	5-1/4	22.0	1327.00
8"	3	5-1/4	32.0	2343.00

**Regularly Furnished:** Cast iron expansion joint with mechanical joint body, compression gland, neoprene gasket and brass sleeve.

\* Dimensions vary from illustration

**Suffix Options**

Suffix	Description	Add
39	Galvanized Cast Iron	\$ 178.00

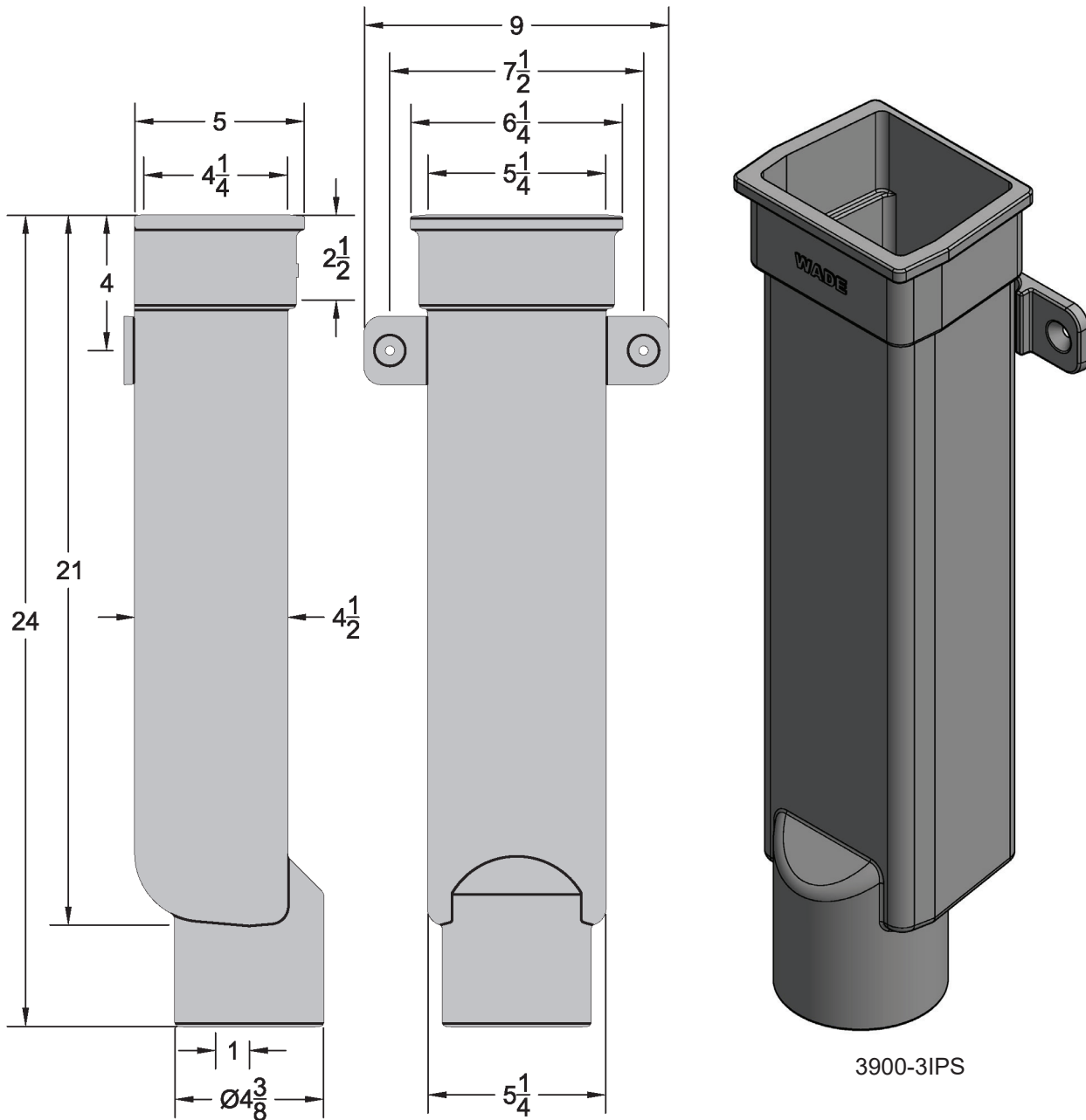
**Outlet Variations**

Type	Designation Suffix	Add
No-Hub	2NH,3NH,4NH,5NH,6NH,8NH	N/C
Threaded	2IPS,3IPS,4IPS,5IPS,6IPS,8IPS	N/C

# ROOF DRAINS



<b>3930</b>	Downspout Boot
-------------	----------------



ROOF DRAINS

Outlet Size	Regularly Furnished	Wt. Lbs.
4"	\$ 1313.00	30.0

**Regularly Furnished:** Cast iron downspout boot with rectangular gutter inlet, 4" No-Hub outlet and securing strap for 1/4" flat head screws.

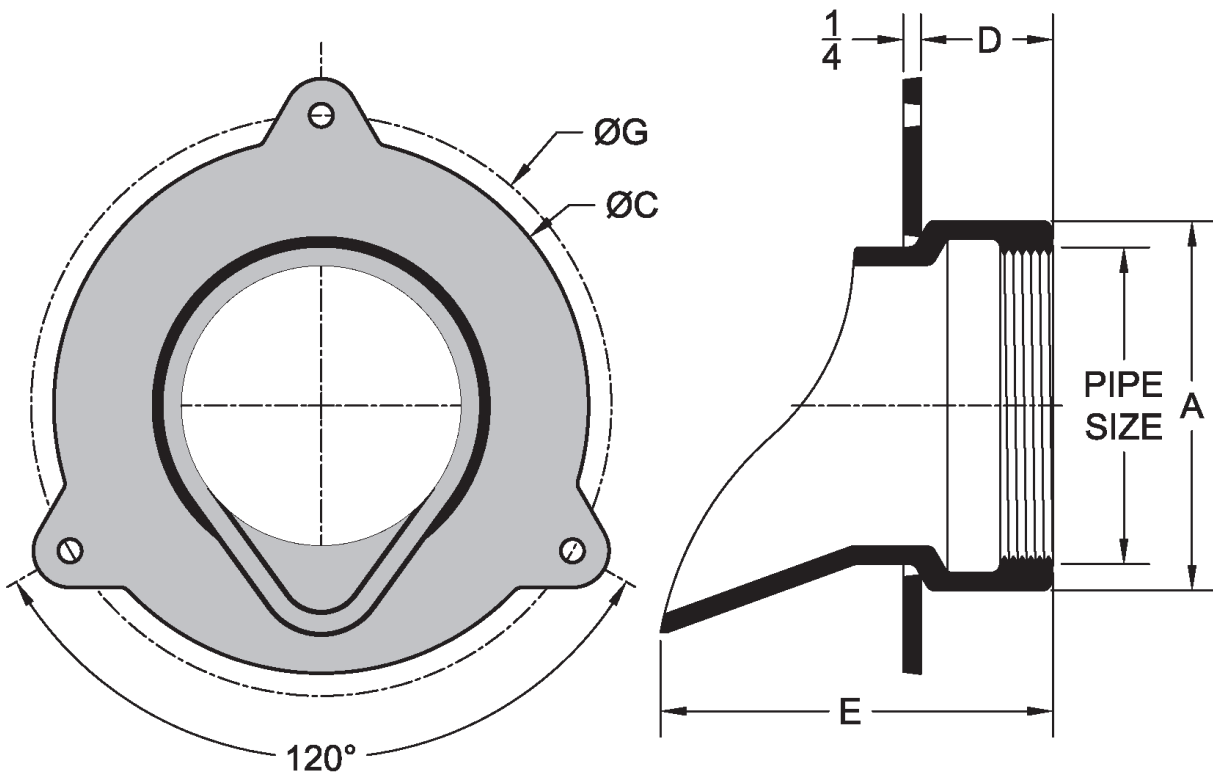
Outlet Variations		
Type	Designation Suffix	Add
No-Hub	4NH	N/C

Suffix Options		
Suffix	Description	Add
CO	Cleanout Access & Plug	\$ 680.00
39	Galvanized Cast Iron	970.00

**3940**

Downspout Nozzle with Threaded or Slip Joint Inlet

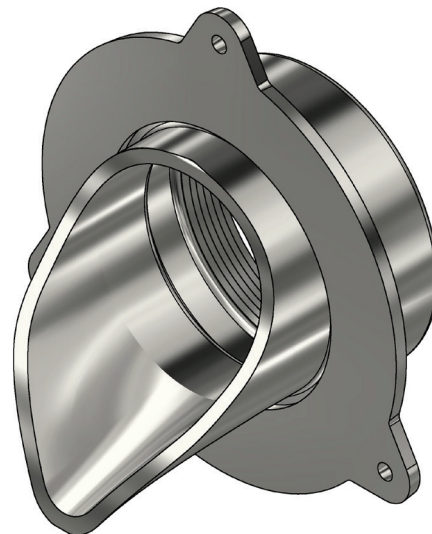
ROOF DRAINS



Pipe Size	Material Option Suffix			Wt. Lbs.
	1	2	3	
	Nickel Bronze	Satin Bronze	Rough Bronze	
2"	\$ 1078.00	\$ 971.00	\$ 629.00	10.0
3"	1078.00	971.00	629.00	9.0
4"	1078.00	971.00	629.00	9.0
5"	1937.00	1746.00	1492.00	17.0
6"	1937.00	1746.00	1492.00	16.0
8"	2650.00	2553.00	2258.00	18.0
10"	3463.00	3317.00	2933.00	19.0

Dimensions (Inches)						
Pipe Size	A	B	C	D	E	G
2"	5-1/4	3-5/8	7-5/8	1-7/8	5-5/8	8-1/4
3"	5-1/4	3-1/8	7-5/8	1-7/8	5-5/8	8-1/4
4"	5-1/4	2-5/8	7-5/8	1-7/8	5-5/8	8-1/4
5"	5-7/8	3	7-3/4	1	5-7/8	8-1/2
6"	7	3-1/2	8-3/4	1	5-3/4	9-1/2
8"	9-1/4	4-5/8	10-7/8	1-1/8	5-3/4	11-5/8
10"	11-7/8	6	12-7/8	1-3/4	6-1/8	14

Outlet Variations		
Type	Designation Suffix	Add
Threaded	2IPS,3IPS,4IPS,5IPS,6IPS,8IPS	N/C
Slip Joint	4SJ,5SJ,6SJ,8SJ,10SJ	N/C



3940-1-4IPS

**Regularly Furnished:** Downspout nozzle with decorative wall flange and threaded or slip joint inlet.

\* Dimensions vary from illustration

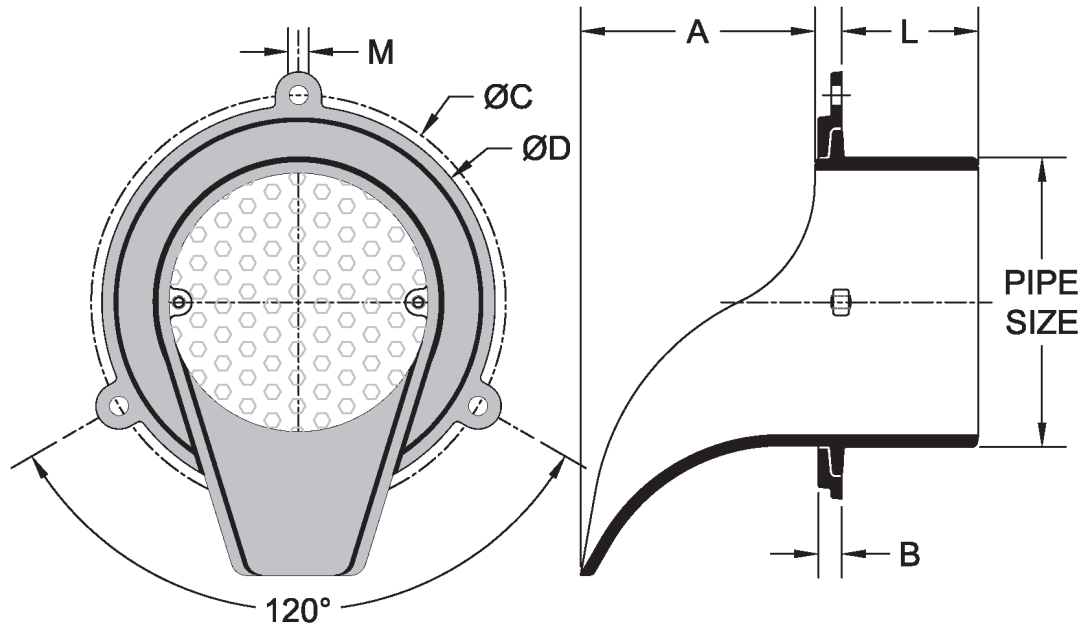
Suffix Options		
Suffix	Description	Add
166	S/S Perforated Bird/Rodent Screen	\$ 550.00



# ROOF DRAINS



## 3940-NH Downspout Nozzle with No-Hub Inlet



ROOF DRAINS

S/S BIRD SCREEN  
(IF REQUIRED)

Pipe Size	Material Option Suffix			Wt. Lbs.
	1	2	3	
	Nickel Bronze	Satin Bronze	Rough Bronze	
2"	\$ 1078.00	\$ 971.00	\$ 629.00	5.0
3"	1078.00	971.00	629.00	6.0
4"	1078.00	971.00	629.00	7.0
5"	1937.00	1746.00	1492.00	12.0
6"	1937.00	1746.00	1492.00	13.0
8"	2650.00	2553.00	2258.00	14.0
10"	3463.00	3317.00	2933.00	15.0
12"	4285.00	4106.00	3985.00	17.0



3940-1-4NH

Dimensions (Inches)						
Pipe Size	A	B	C	D	E	G
2"	2-3/8	5/16	4-3/8	4	2	5/16
3"	3	5/16	5-3/8	5	2	5/16
4"	3-1/2	5/16	6-1/4	6	2	5/16
5"	3-1/2	1/2	8	7-1/2	2-1/2	7/16
6"	3-1/2	1/2	9	8-1/2	2-1/2	7/16
8"	3-1/2	1/2	11-1/8	10-9/16	2-1/2	7/16
10"	3-1/2	1/2	13-1/2	12-7/8	2-1/2	7/16
12"	3-1/2	1/2	15-3/8	14-3/4	2-1/2	7/16

Outlet Variations		
Type	Designation Suffix	Add
No-Hub	2NH,3NH,4NH,5NH,6NH,8NH,10NH,12NH	N/C

**Regularly Furnished:** Downspout nozzle with decorative wall flange and No-Hub inlet.

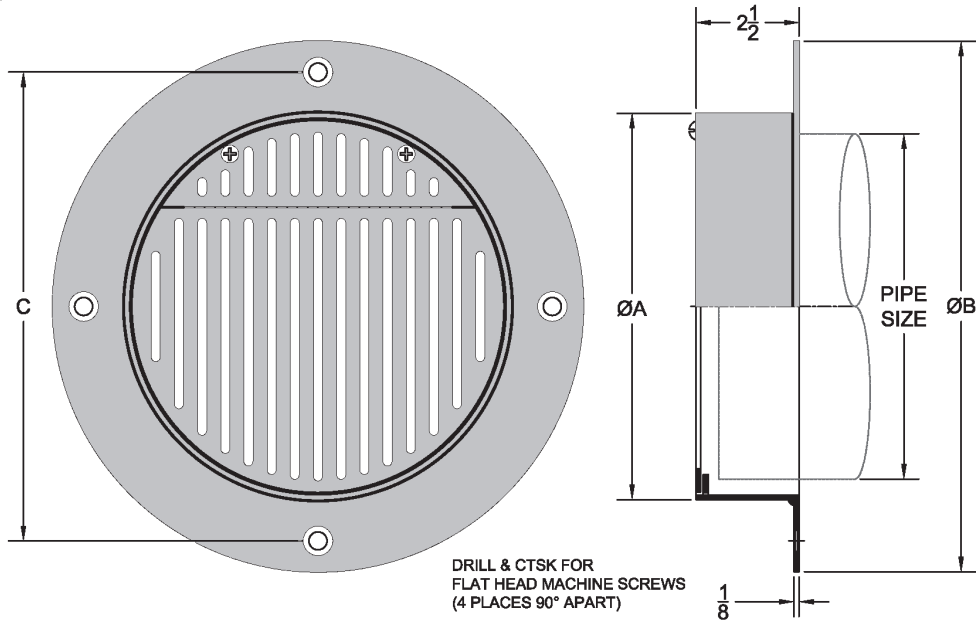
\* Dimensions vary from illustration

Suffix Options		
Suffix	Description	Add
166	S/S Perforated Bird/Rodent Screen	\$ 550.00

**3941**

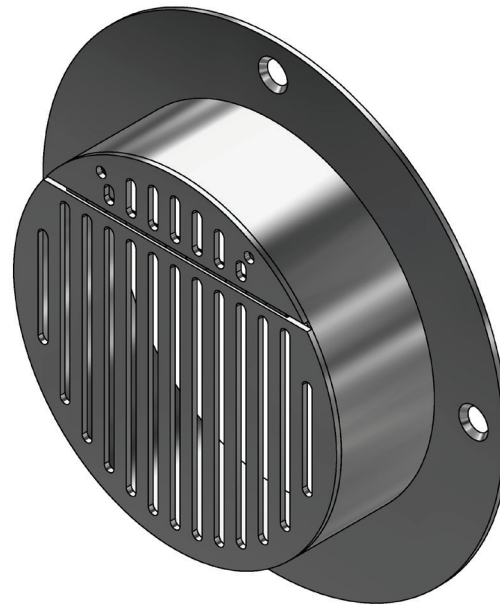
Downspout Cover

ROOF  
DRAINS



Pipe Size	85	Grate Free Area (Sq.In.)	Wt. Lbs.
	Stainless Steel		
3"	\$ 2907.00	3.8	8.0
4"	2907.00	5.4	8.0
5"	3068.00	8.3	8.5
6"	3068.00	17.0	9.0
8"	3220.00	23.4	10.0
10"	3407.00	36.5	12.0
12"	3609.00	55.4	14.0
15"	3817.00	70.3	16.0
16"	4051.00	76.8	17.0
18"	4502.00	91.7	18.0

Dimensions (Inches)			
Pipe Size	A	B	C
3"	4-1/4	7-3/4	6-1/4
4"	5-1/2	8-3/4	7-1/4
5"	6	9-1/4	7-1/4
6"	8-1/4	11-3/4	10-1/4
8"	9-3/8	12-7/8	11-3/8
10"	11-1/2	15	13-1/2
12"	13-1/2	17	15-1/2
15"	15-3/4	19-1/4	17-3/4
16"	16-3/8	20	18-3/8
18"	18-3/8	22	20-3/8



3941-85-6SJ

**Regularly Furnished:** Stainless steel downspout cover with wall flange, hinged slotted cover and slip joint inlet.

\* Dimensions vary from illustration

Outlet Variations		
Type	Designation Suffix	Add
Slip Joint	4SJ,5SJ,6SJ,8SJ,10SJ	N/C

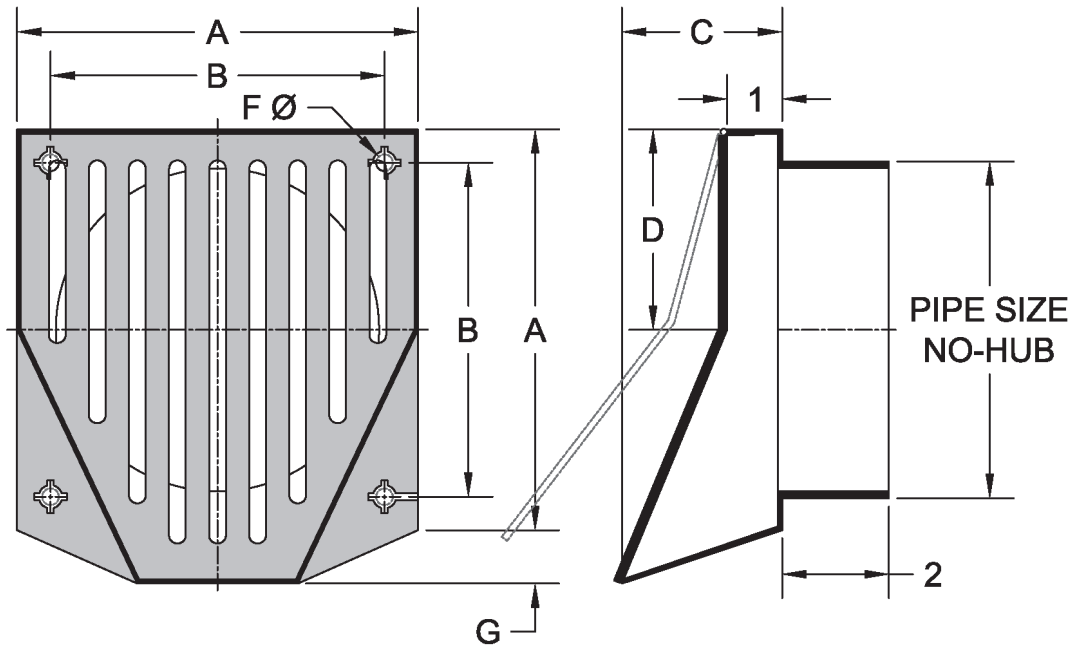
Suffix Options		
Suffix	Description	Add
102	Chrome Plated	\$ 514.00

# ROOF DRAINS



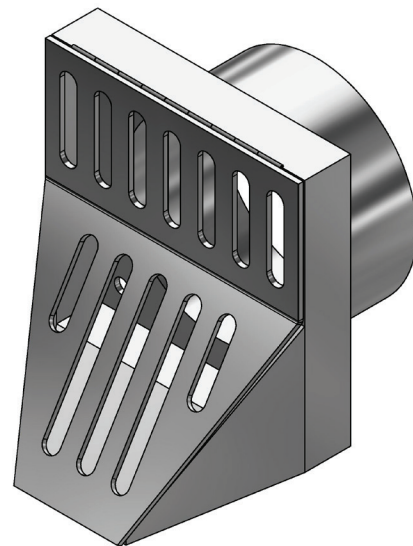
**3942**

Downspout Nozzle with Hinged Cover



ROOF DRAINS

Pipe Size	85	Grate Free Area (Sq.In.)	Wt. Lbs.
	Stainless Steel		
3"	\$ 2536.00	8.0	3.8
4"	2536.00	8.0	8.3
5"	2536.00	13.1	8.7
6"	2536.00	21.6	9.0
8"	2536.00	29.9	15.0
10"	3016.00	50.6	21.0
12"	3016.00	64.3	22.0
15"	6266.00	78.5	23.0
16"	6266.00	78.5	23.0
18"	9515.00	91.7	18.0



3942-85-4NH

Dimensions (Inches)						
Pipe Size	A	B	C	D	E	G
3"	4 1/2	3 1/4	3	2 1/4	5/16	3/4
4"	5 1/2	4 1/4	3	2 3/4	5/16	1
5"	6 1/2	5 1/4	3	3 1/4	5/16	1
6"	7 1/2	6 1/4	3	3 3/4	5/16	1
8"	9 5/8	7 5/8	4	4 7/8	5/16	1 1/8
10"	13	10 1/4	5	6 3/8	7/16	1 7/8
12"	14	11 1/4	6	6 7/8	7/16	1 7/8
15"	18	14 5/8	7	9	7/16	1 7/8
16"	18	14 5/8	7	9	7/16	1 7/8

Outlet Variations		
Type	Designation Suffix	Add
No-Hub	2NH,3NH,4NH,5NH,6NH,8NH,10NH,12NH	N/C

**Regularly Furnished:** Downspout nozzle with decorative wall flange and No-Hub inlet.

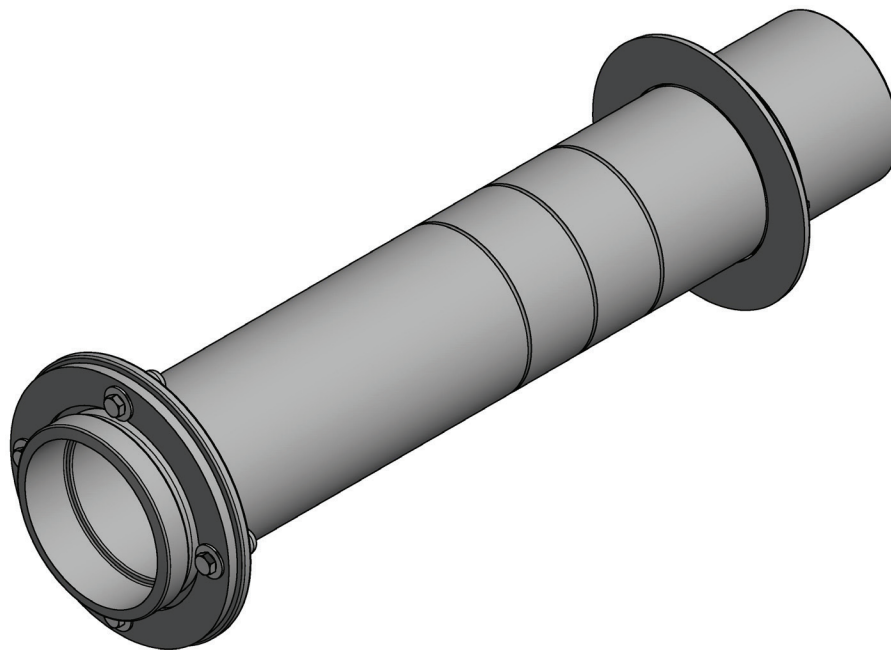
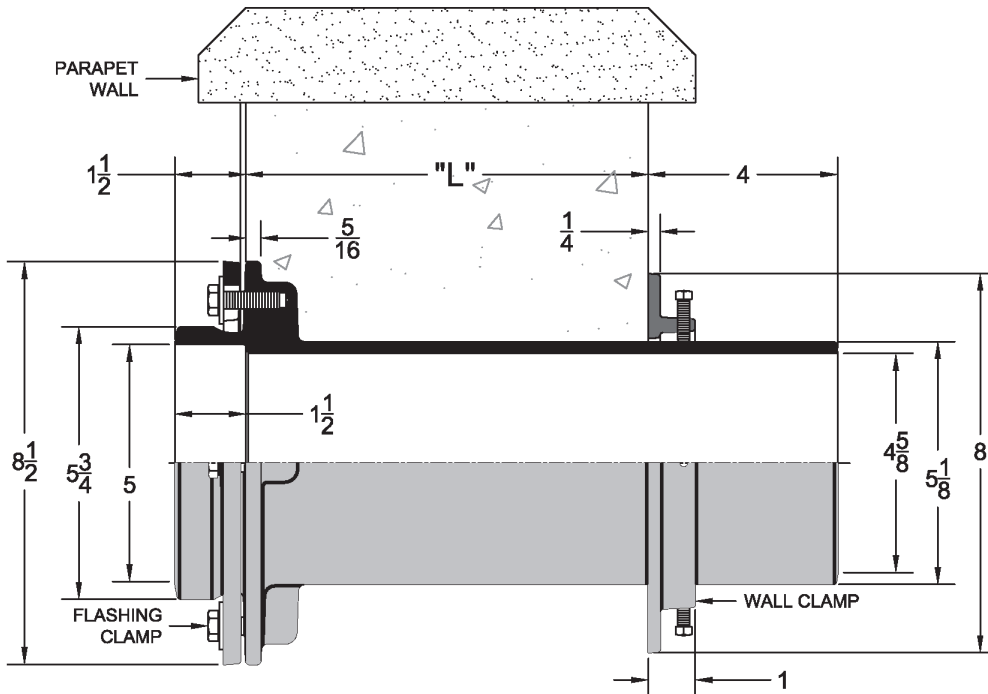
\* Dimensions vary from illustration

Suffix Options		
Suffix	Description	Add
21	Less Grate	\$ 332.00
166	S/S Perforated Bird/Rodent Screen	550.00

3947

Parapet Scupper Sleeve

ROOF  
DRAINS



3947-L22

Suffix	"L" Wall Thickness	Wt. Lbs.	Regularly Furnished
L8	8-1/2	26.0	\$ 936.00
L11	11	29.0	936.00
L13	13-1/2	31.0	1065.00
L17	17-1/2	35.0	1312.00
L22	22-1/2	40.0	1401.00

**Regularly Furnished:** Cast iron parapet wall scupper sleeve with flange, flashing clamp ring, & wall clamp.

\* Dimensions vary from illustration

Suffix Options		
Suffix	Description	Add
39	Galvanized Cast Iron	\$ 231.00